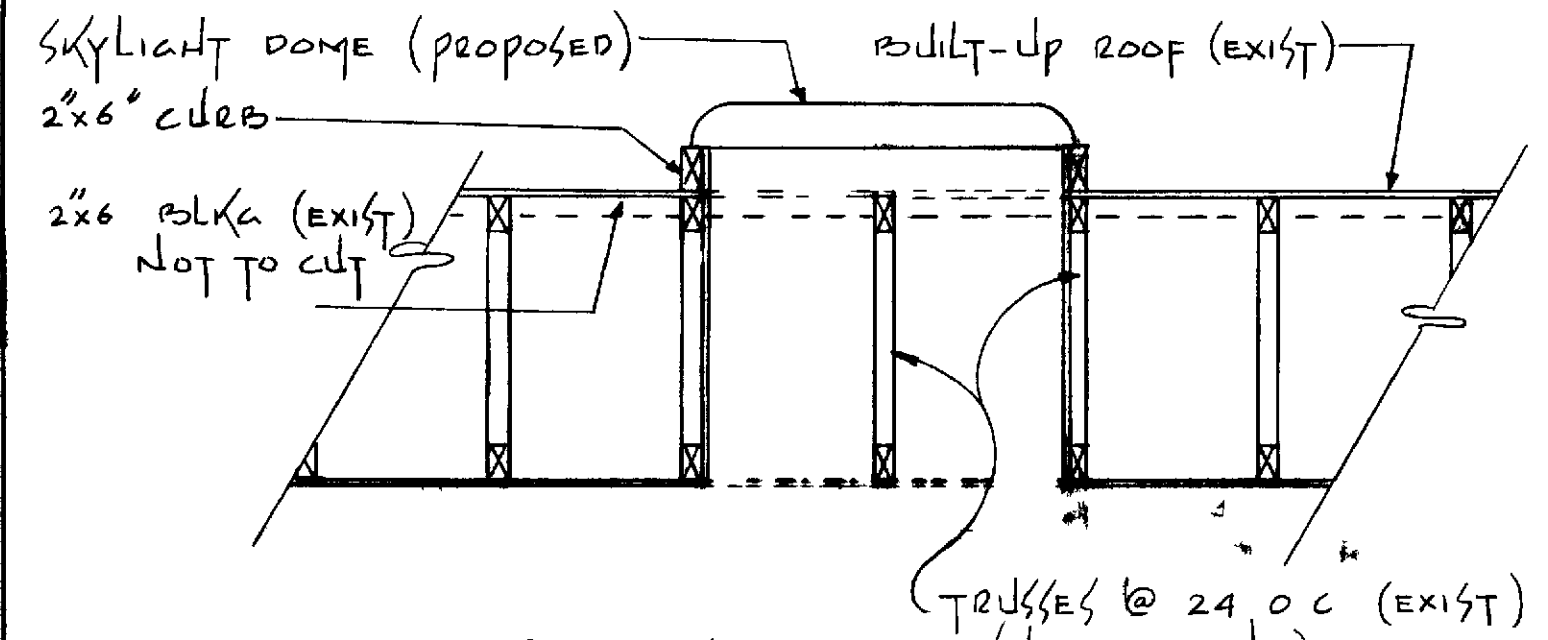
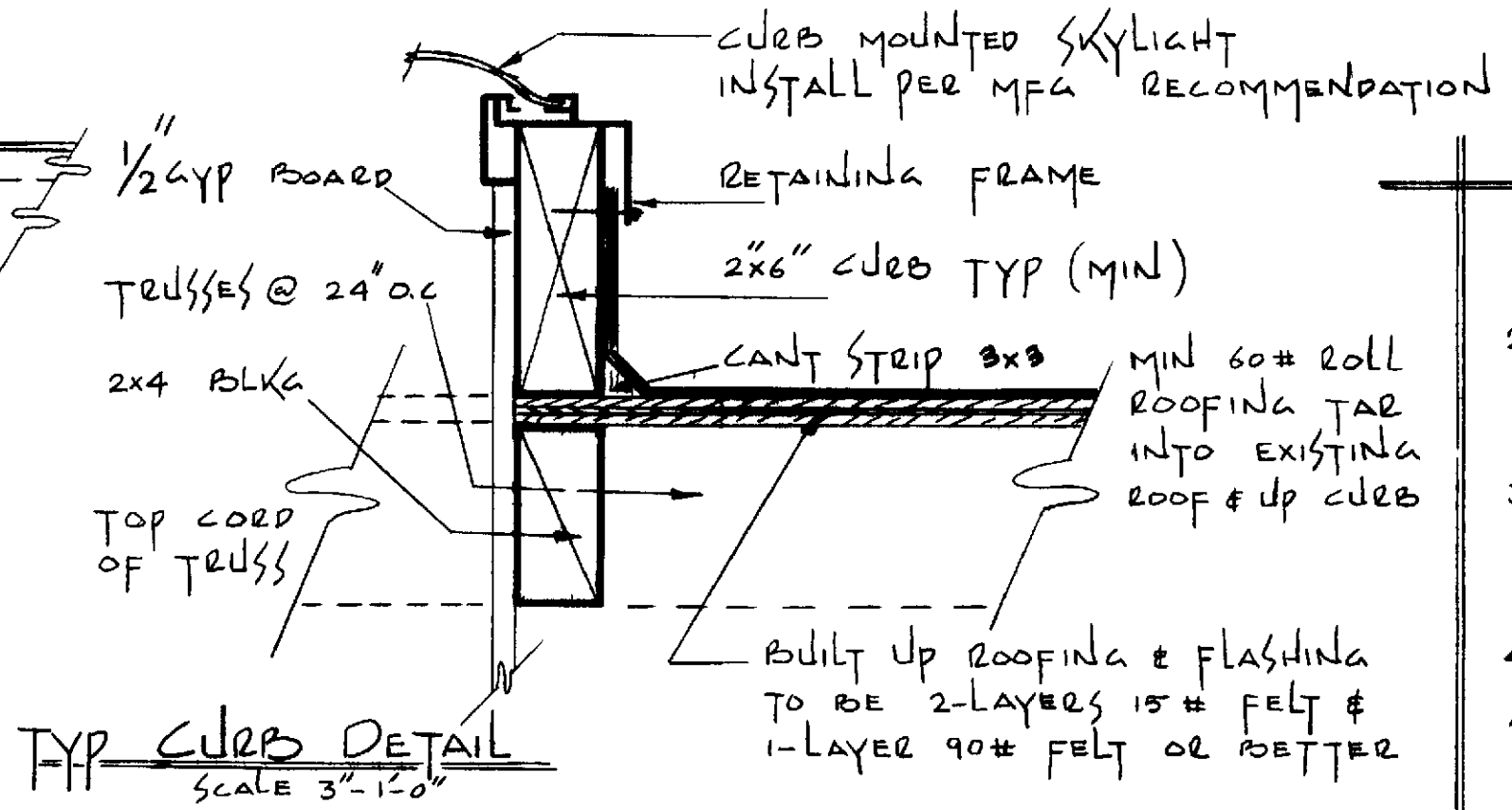


TYP SECTION A
SCALE 1/2" = 1'-0"

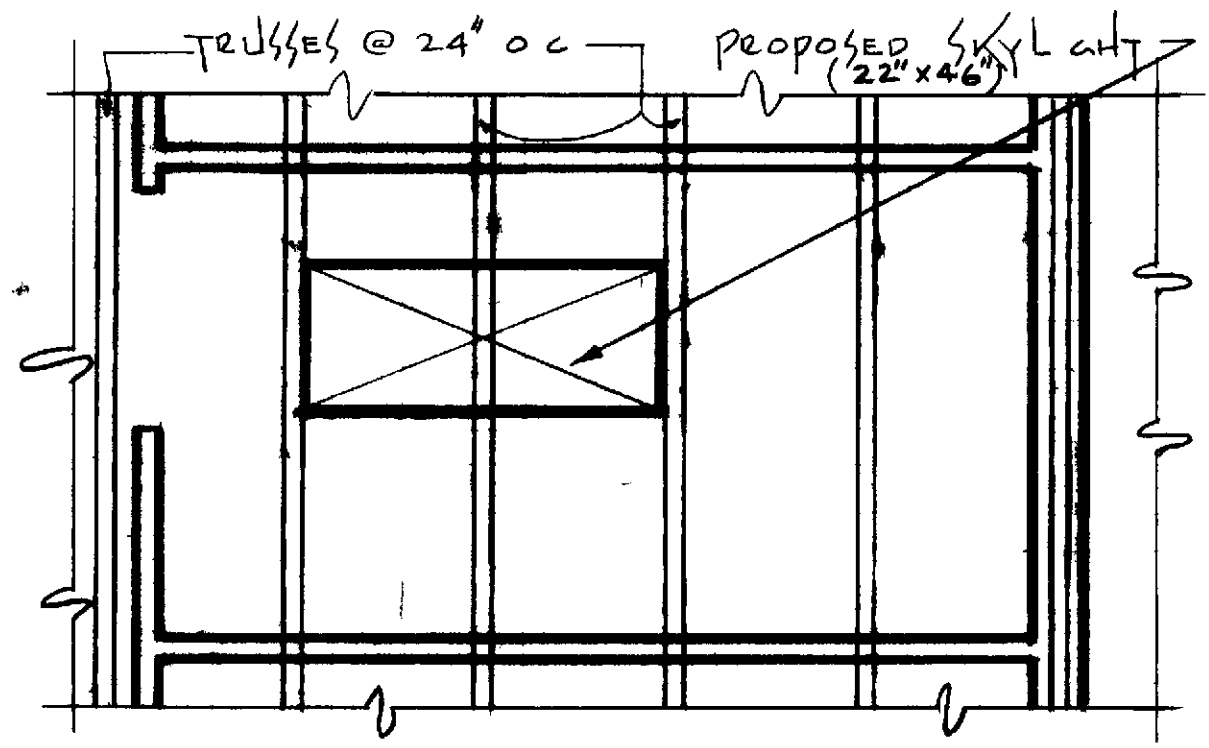
NOTE NEW MEMBERS SHOWN SHADED



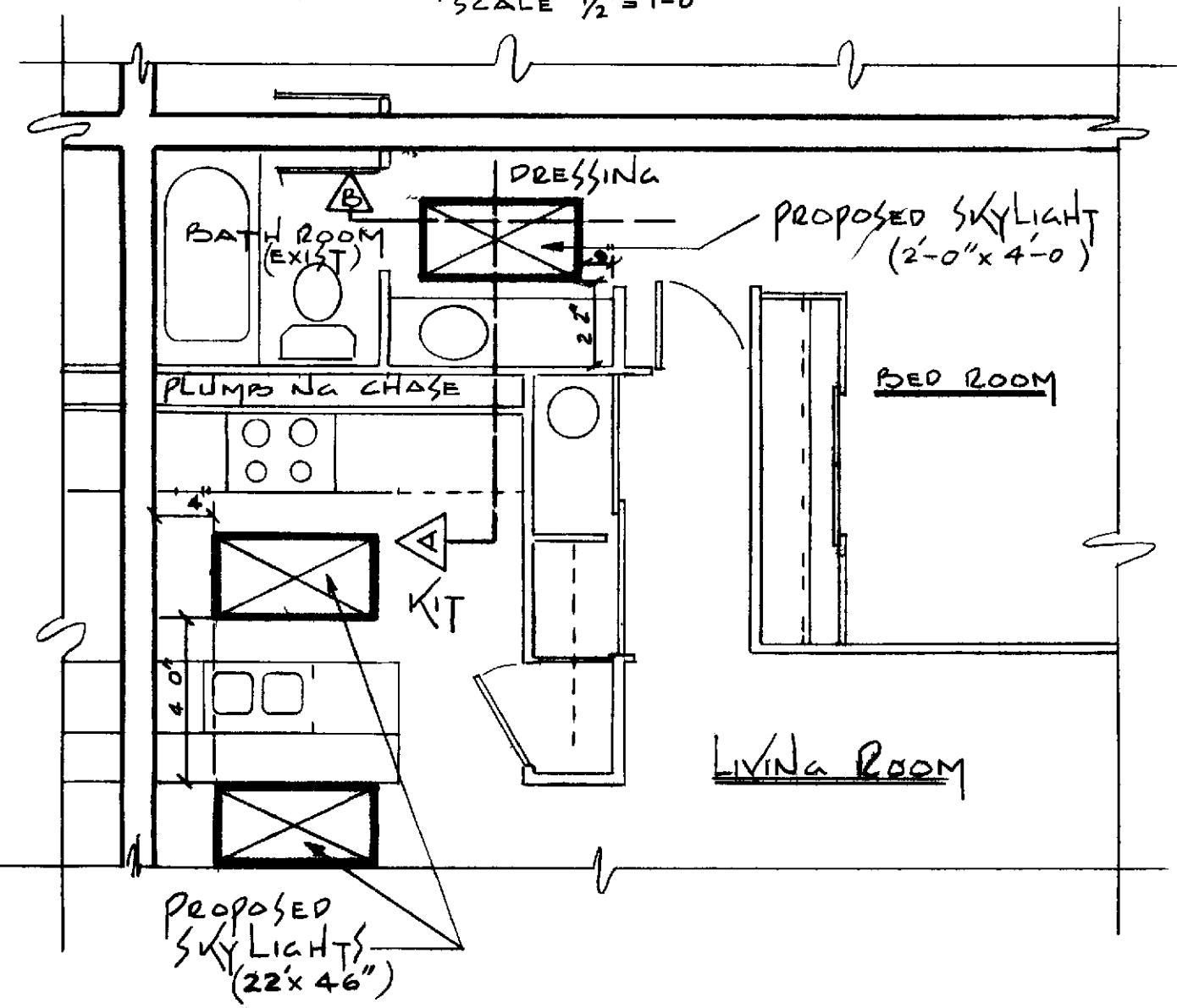
TYP SECTION B
SCALE 1/2" = 1'-0"



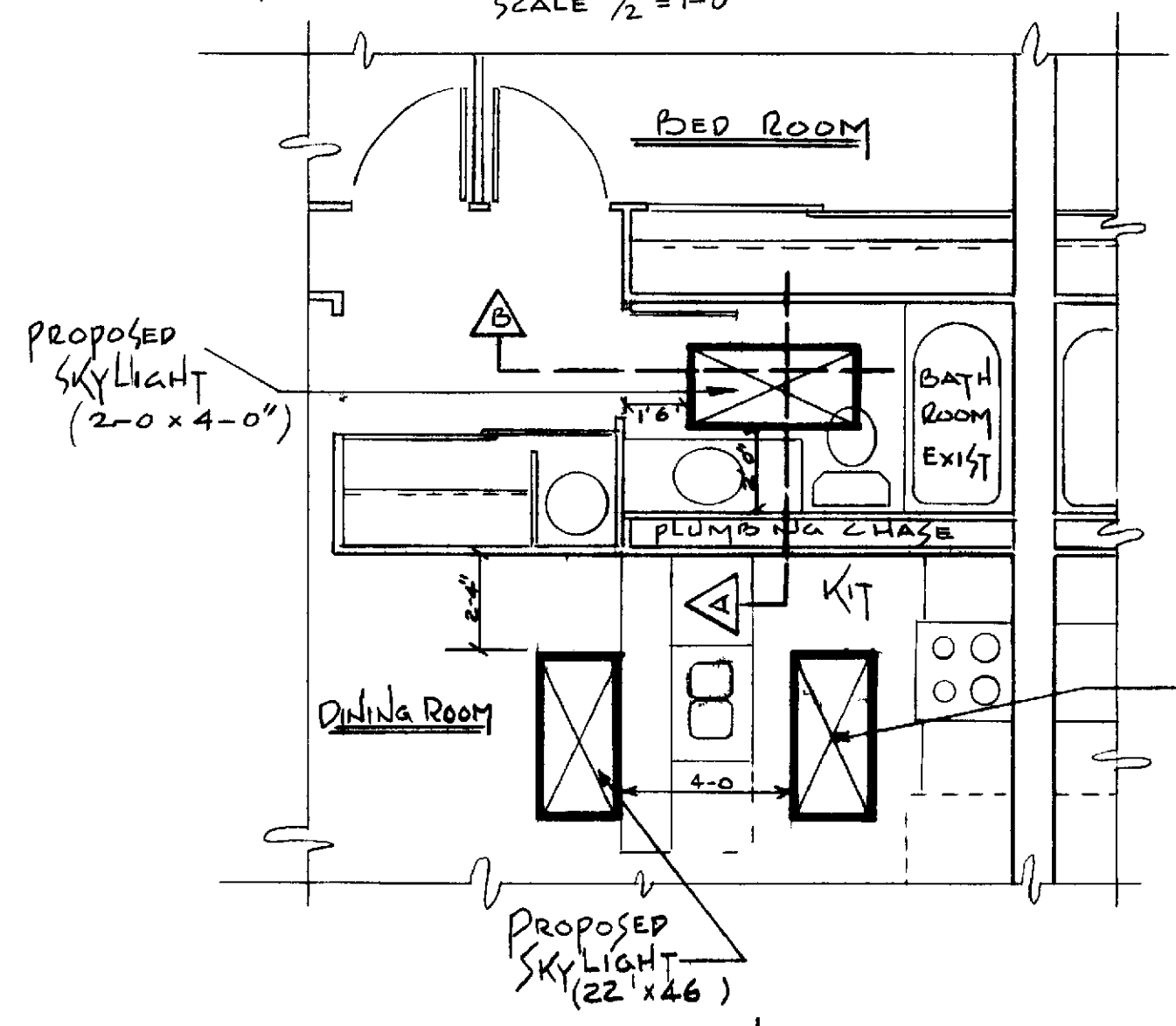
TYP CURB DETAIL
SCALE 3" = 1'-0"



TYP PARTIAL ROOF PLAN
SCALE 1/2" = 1'-0"



PARTIAL FLOOR PLAN (LA CASITA)
SCALE 1/4" = 1'-0"



PARTIAL FLOOR PLAN (CASA BONITA)
SCALE 1/4" = 1'-0"

GENERAL NOTES

- 1 DIMENSIONS HAVE PREFERENCE OVER SCALE
- 2 CONTRACTOR SHALL VERIFY ALL DIMENSIONS & CONDITIONS @ EA JOB SITE PRIOR TO COMMENCING CONSTRUCTION
- 3 CONTRACTOR SHALL SECURE & PAY FOR ALL PERMITS REQD BY PCM INC AND ORANGE COUNTY BLDG DEPT
- 4 LINE ALL SKYLIGHT AREAWAYS w/ DRY WALL
- 5 ALL PHASES OF CONST SHALL COMPLY WITH THE CURRENT ED OF THE UBC AND/OR STATE & LOCAL CODES
- 6 UPON COMPLETION CONTRACTOR SHALL REMOVE ALL DEBRIS & EXCESS MATERIAL AND LEAVE AREAS OF WORK BROOM CLEAN
- 7 ALL FASTENERS EXPOSED TO WEATHERING SHALL BE CORROSION RESISTANT OR GALVANIZED METAL
- 8 SKYLIGHT SHALL BE I C B O NO 1998 APPROVED ITEM
- 9 FRAMING LUMBER
HORIZONTAL DF-L#1
VERTICAL DF-L#2 OR BETTER
- 10 TYPE OF CONSTRUCTION V
- 11 GROUP OF OCCUPANCY R-1
- 12 ALL SKYLIGHTS SHALL BE INSTALLED OR IN ANY TYPE OF COMBINATION THEREOF
- 13 NO SELF-FLASHING SKYLITES SHALL BE ALLOWED
- 14 SKYLITES SHALL BE FASTENED WITH HEX-HEAD OR CAP SCREWS ONLY NO NAILS SHALL BE USED

LA CASITA PA-04A
CASA BONITA PA-04
SKYLIGHTS IN KITCHEN AND DINING ROOM AND BATH ROOM

LEISURE WORLD
PLAN NUMBER 96 **96**

PROFESSIONAL COMMUNITY MANAGEMENT INC
APPROVED *Terry White*

APPROVED BY *[Signature]*
PCM INC
P.O. BOX 2220 LAGUNA HILLS
380-4616

DATE JULY 23 1980
REVISED JAN 28 1981

SHEET 1 OF 1

76 591