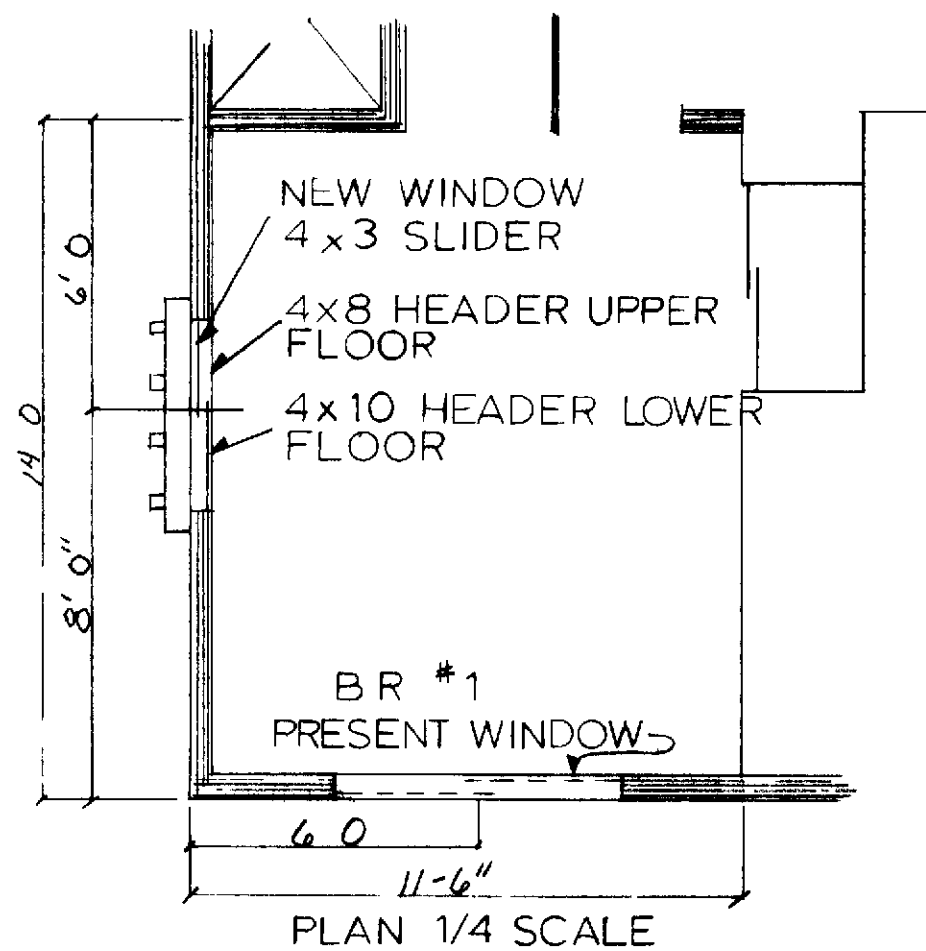


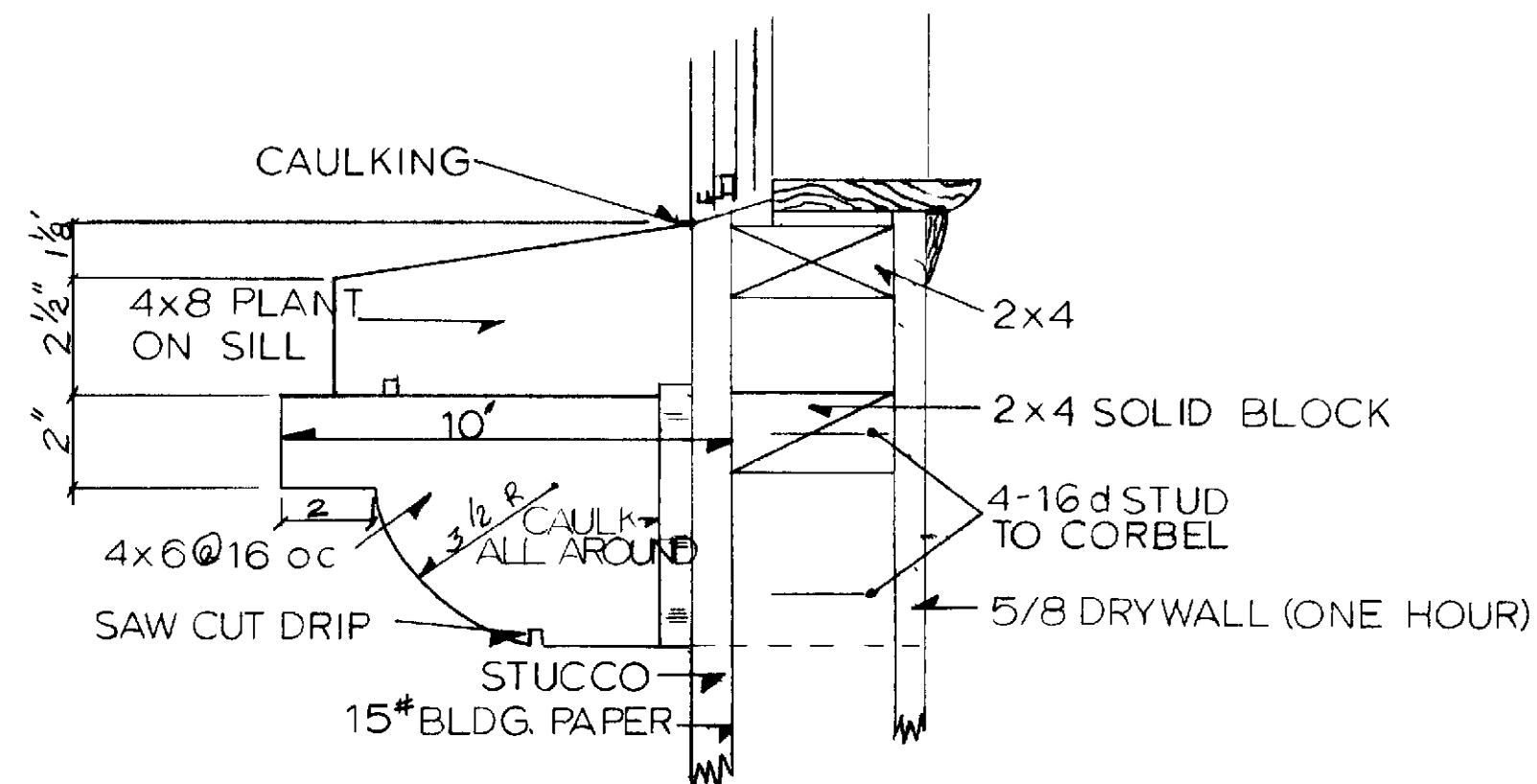
END ELEVATION 1/8 SCALE

NOTES

- 1 DIMENSIONS HAVE PRECEDENCE OVER SCALE
- 2 CONTRACTOR SHALL VERIFY ALL DIMENSIONS AND CONDITIONS AT JOB SITE PRIOR TO CONSTRUCTION
- 3 CONTRACTOR SHALL SECURE AND PAY FOR ALL PERMITS REQD BY PCM & THE ORANGE COUNTY BLDG DEPT
- 4 UPON COMPLETION CONTRACTOR SHALL REMOVE ALL DEBRIS & EXCESS MATL AND LEAVE ALL WORK AREAS BROOM CLEAN
- 5 ALL PHASES OF CONSTRUCTION SHALL COMPLY WITH CURRENT ED OF THE UBC AND/OR STATE AND LOCAL CODES



PLAN 1/4 SCALE



DETAIL "A"
SILL & CORBEL
NEW SLIDING WINDOW
SPECIAL FOR 22-22-8 PLAN

22-22-08 & KK-08 PLANS
NEW SLIDER WINDOW
IN BEDROOM #1

LEISURE WORLD
STANDARD PLAN
NUMBER 66

66

PCM INC 380-4616
PO BOX 2220 LAGUNA HILLS
PROFESSIONAL COMMUNITY
MANAGEMENT INC
APPROVED

DRAWN 6-5-65 M
REVISED 2-26-67 BT
REDRAWN 1-13-89