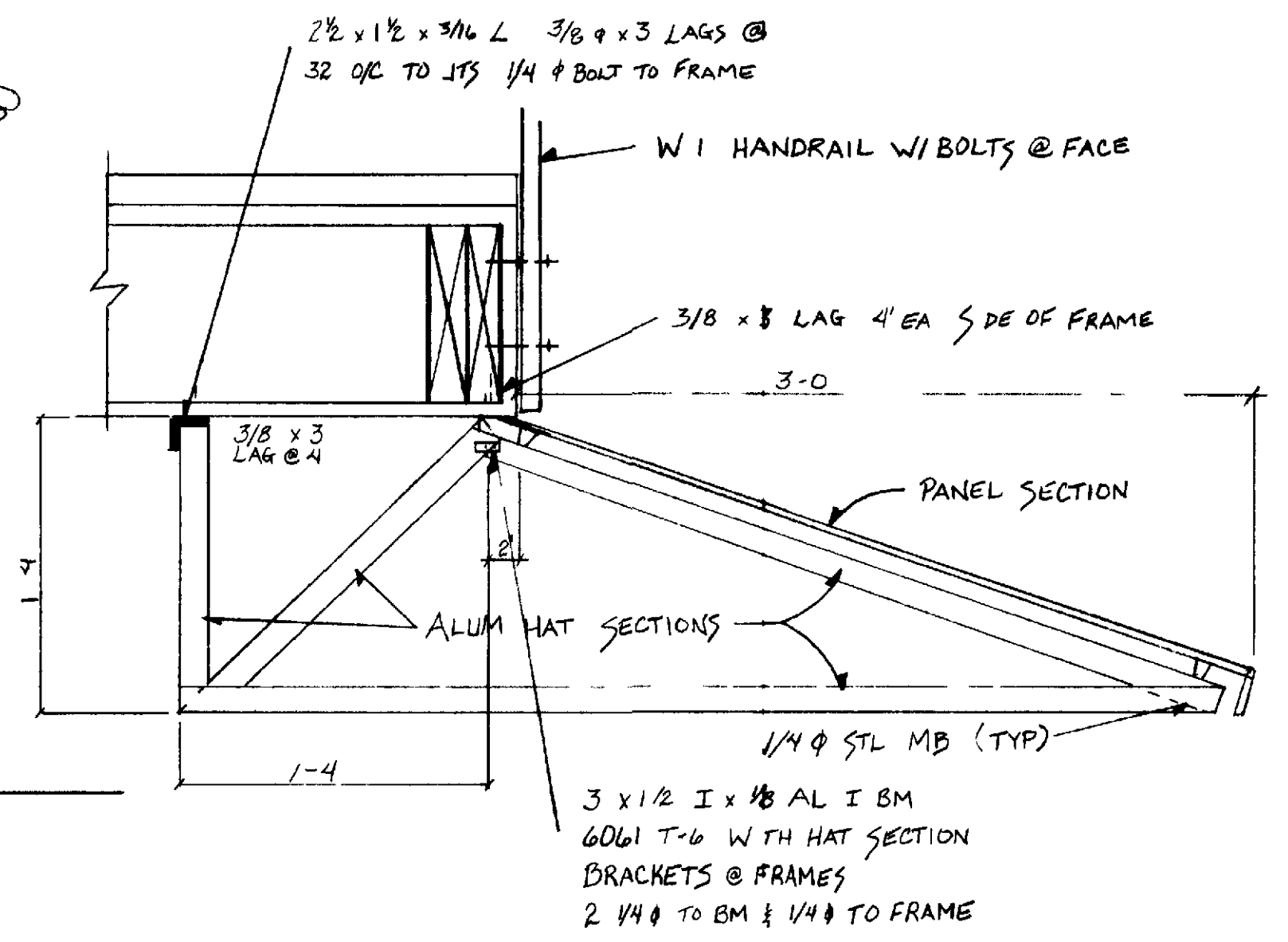
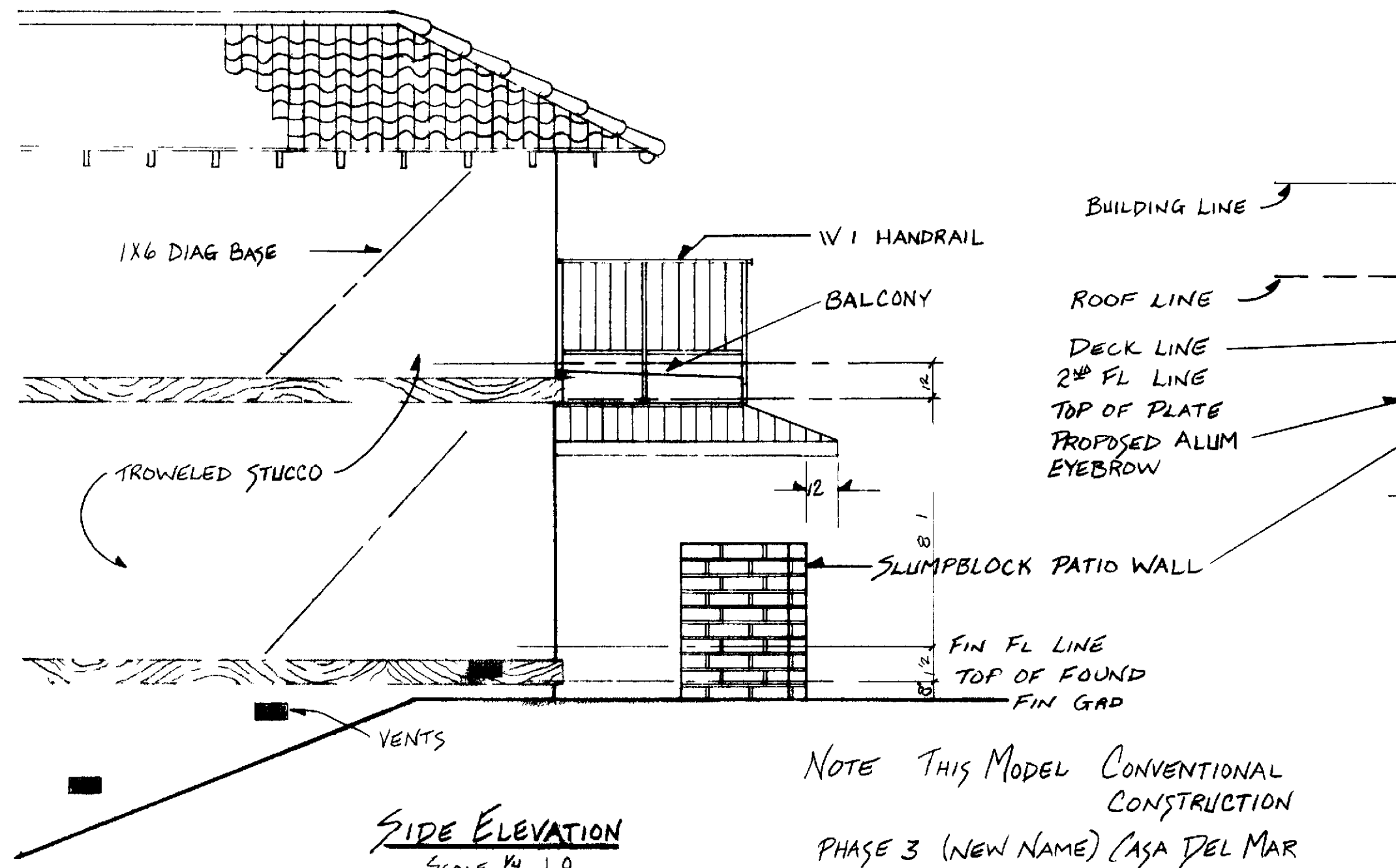


**FRONT ELEVATION**  
scale 1/2

NOTE ALL BOLTS CAP PLATED STL  
DRILL HOLES FOR LAG BOLTS 3/8" x 1" 1/4 x 3  
PILOT HOLE

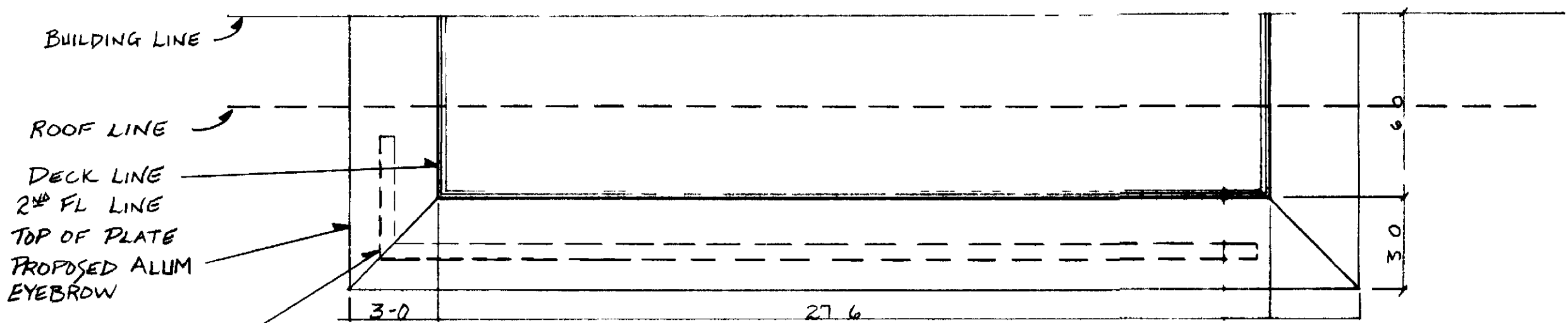


**DETAIL**  
SCALE 1/2 = 1-0



**SIDE ELEVATION**  
SCALE 1/4 = 1-0

NOTE THIS MODEL CONVENTIONAL CONSTRUCTION  
PHASE 3 (NEW NAME) CASA DEL MAR  
CASA BAHIA



**PLAN VIEW**  
SCALE 1/4 = 1-0

- NOTE UNLESS OTHERWISE SPECIFIED**
- 1 DIMENSIONS HAVE PREFERENCE OVER SCALE
  - 2 CONTRACTOR SHALL VERIFY ALL DIMENSIONS AND CONDITIONS AT EACH JOB SITE
  - 3 COLOR - TOP SIDE SHALL MATCH EXIST BLDG COLOR UNDER SIDE OF EYEBROW SHALL MATCH BLDG COLOR
  - 4 ALL PHASES OF CONSTRUCTION SHALL COMPLY WITH ED OF THE U B C AND/OR STATE & LOCAL CODES
  - 5 ALL EYEBROW COVERS INSTALLED PER THIS PLAN SHALL BE A FLEXALUM COVER ONLY

EYEBROW FOR BUILDINGS  
8 PLAN AND 1106  
KK 08 22-6 PLAN

LEISURE WORLD  
STANDARD PLAN  
NUMBER 35  
RESIDENT  
ADDRESS

PROFESSIONAL COMM  
MGMT  
APPROVED [Signature]  
APRIL 14 1969  
REVISED 9-1969  
REDRAWN 12-9-88