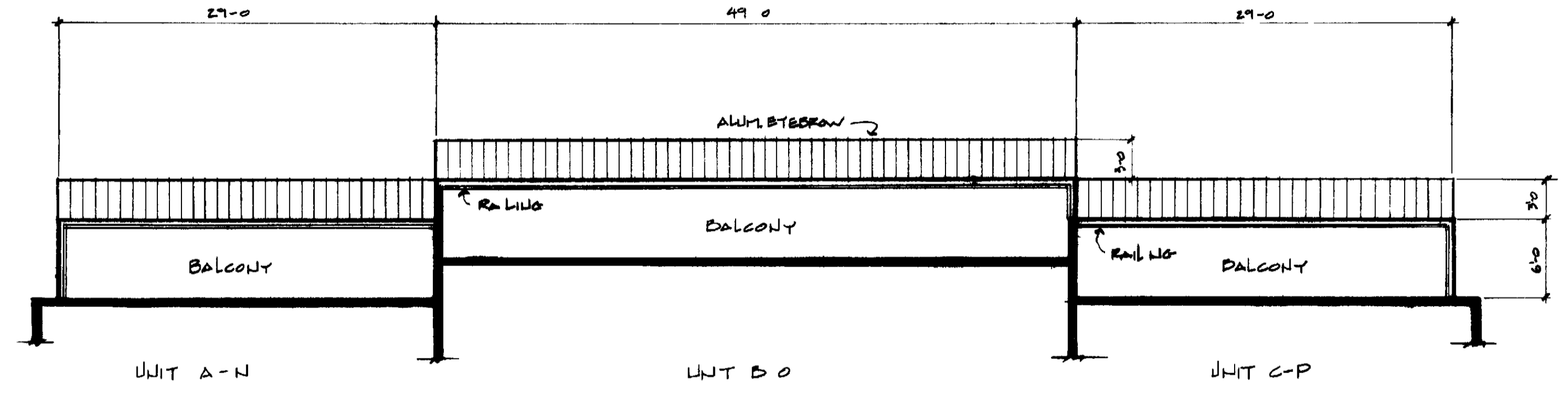


**REAR ELEVATION**

SCALE 1/8" = 1'-0"

ALL WINDOWS EXIST

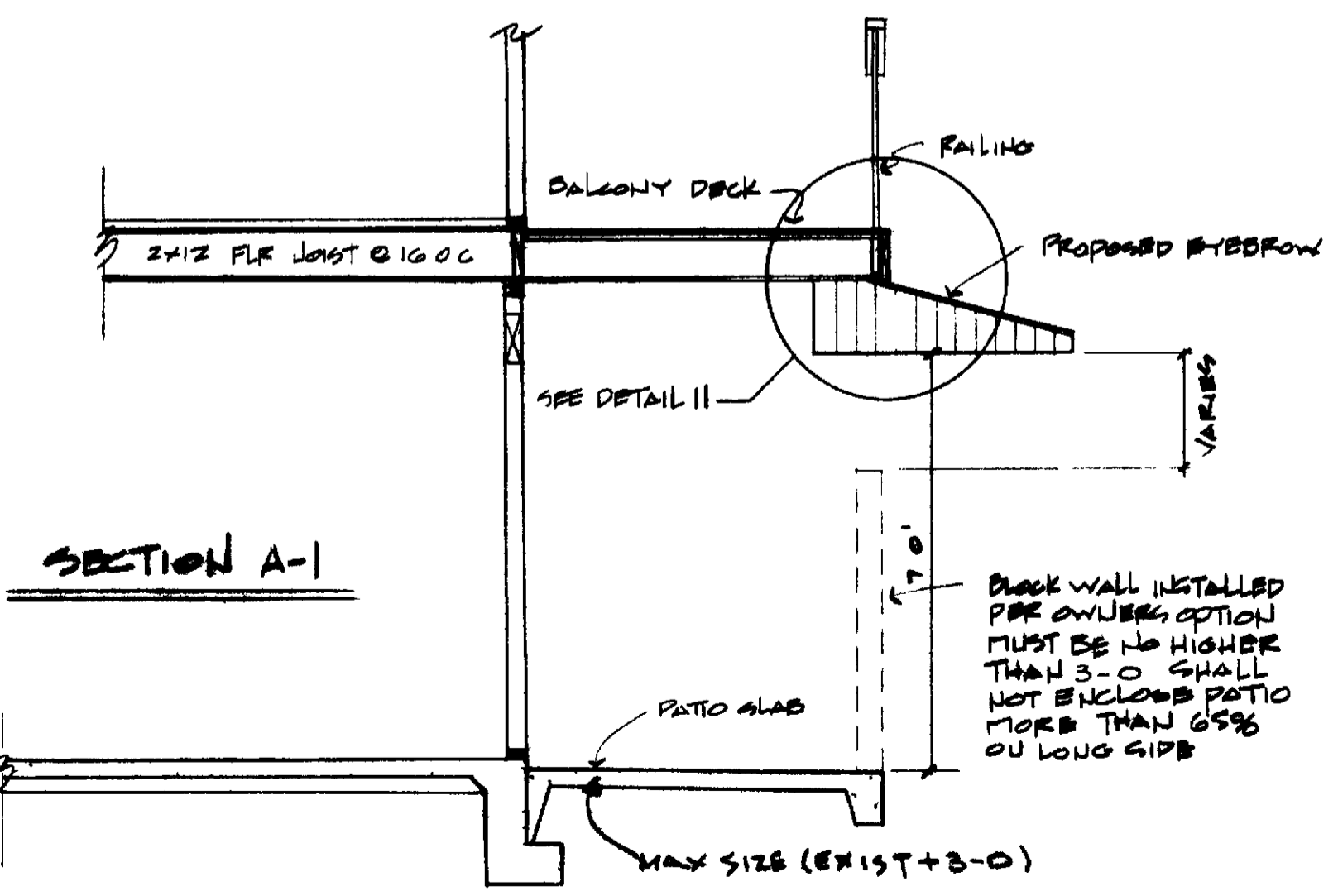


**PLAN VIEW**

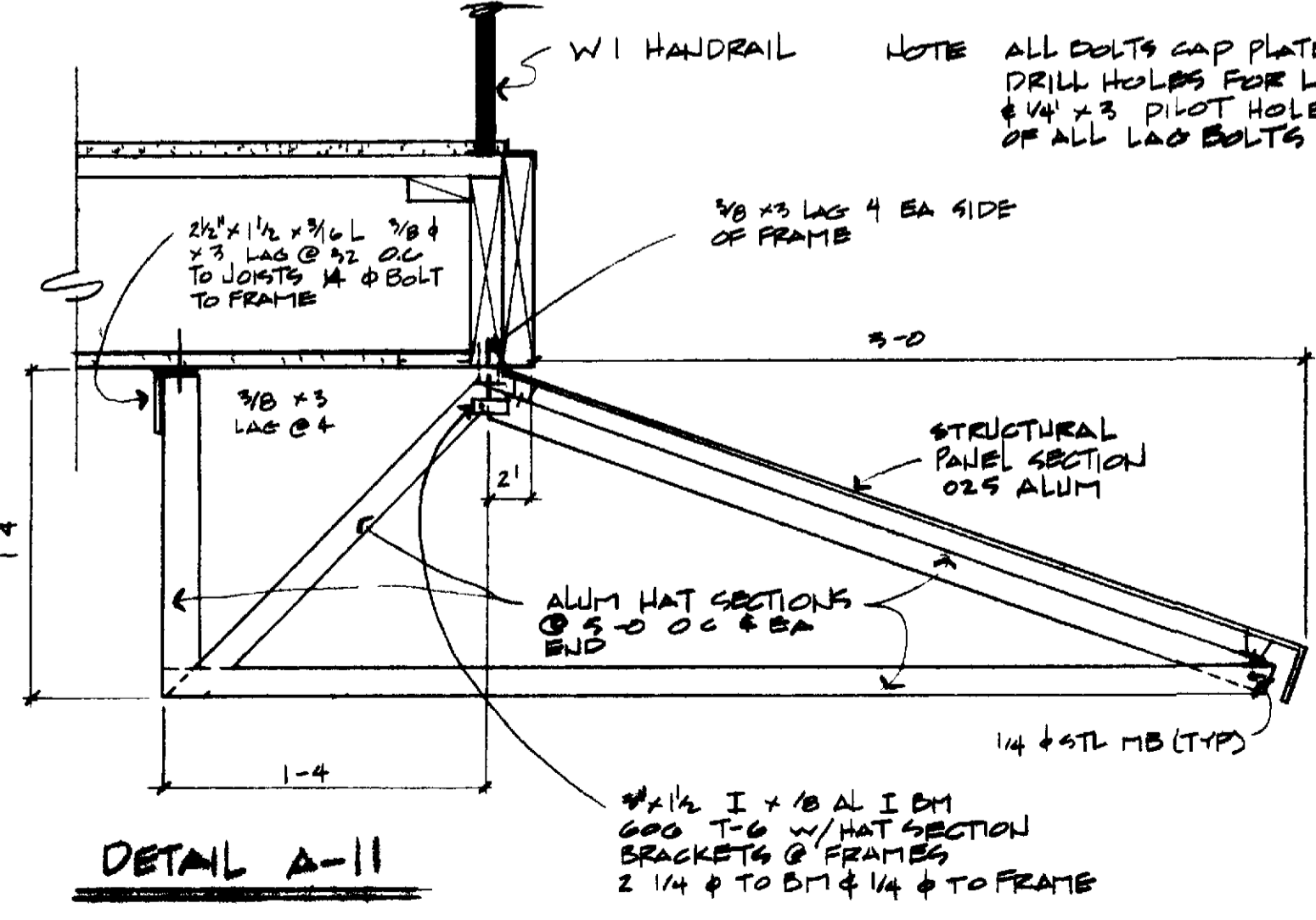
SCALE 1/8" = 1'-0"

**NOTE**

- 1 DIMENSIONS HAVE PREFERENCE OVER SCALE
- 2 CONTRACTOR SHALL VERIFY ALL DIMENSIONS AND CONDITIONS @ JOB SITE PRIOR TO WORK
- 3 COLOR - TOP SIDE SHALL MATCH EXIST BLDG IN COLOR
- 4 ALL EYEBROWS PER THIS PLAN SHALL BE OF 'FLEXALUM' ONLY
- 5 GUTTERS & DOWNSPOUTS OPTIONAL BUT IF INSTALLED MUST MATCH BLDG IN COLOR
- 6 EYEBROW MANUF SHALL FURNISH BLDG DEPT OFFICIALS W/CALCS & SHOP DRWS SIGNED BY A STRUCTURAL OR CIVIL ENGINEER FOR APPROVAL. A COMPLETE LIST OF SPECS ON ALL ALUM MATERIALS USED IS READ
- 7 CONTRACTOR SHALL SECURE AND PAY FOR ALL PERMITS REQ'D BY PC/M AND THE OC BLDG DEPT
- 8 ALL PHASES OF CONSTRUCTION SHALL COMPLY WITH CURRENT UBC AND/OR STATE & LOCAL CODES
- 9 UPON COMPLETION CONTRACTOR SHALL REMOVE ALL DEBRIS AND EXCESS MATL AND LEAVE WORKAREAS BROOM-CLEAN



**SECTION A-1**



**DETAIL A-11**

NOTE ALL BOLTS CAP PLATED STL DRILL HOLES FOR LAG BOLTS 3/8 x 1 1/4 x 3 PILOT HOLE 3/16 MIN PENETRATION OF ALL LAG BOLTS

**EYEBROW COVER**  
CATALINA-LAGUNITA LH-08  
A-B+C PLANS

LEISURE WORLD  
STANDARD PLAN  
NUMBER 231

APPROVED BY  
PROFESSIONAL ARCHITECT

PCM INC 380-4616  
RDB 2330 LAGUNITA BLVD

HEET 12, OF 12

73-499