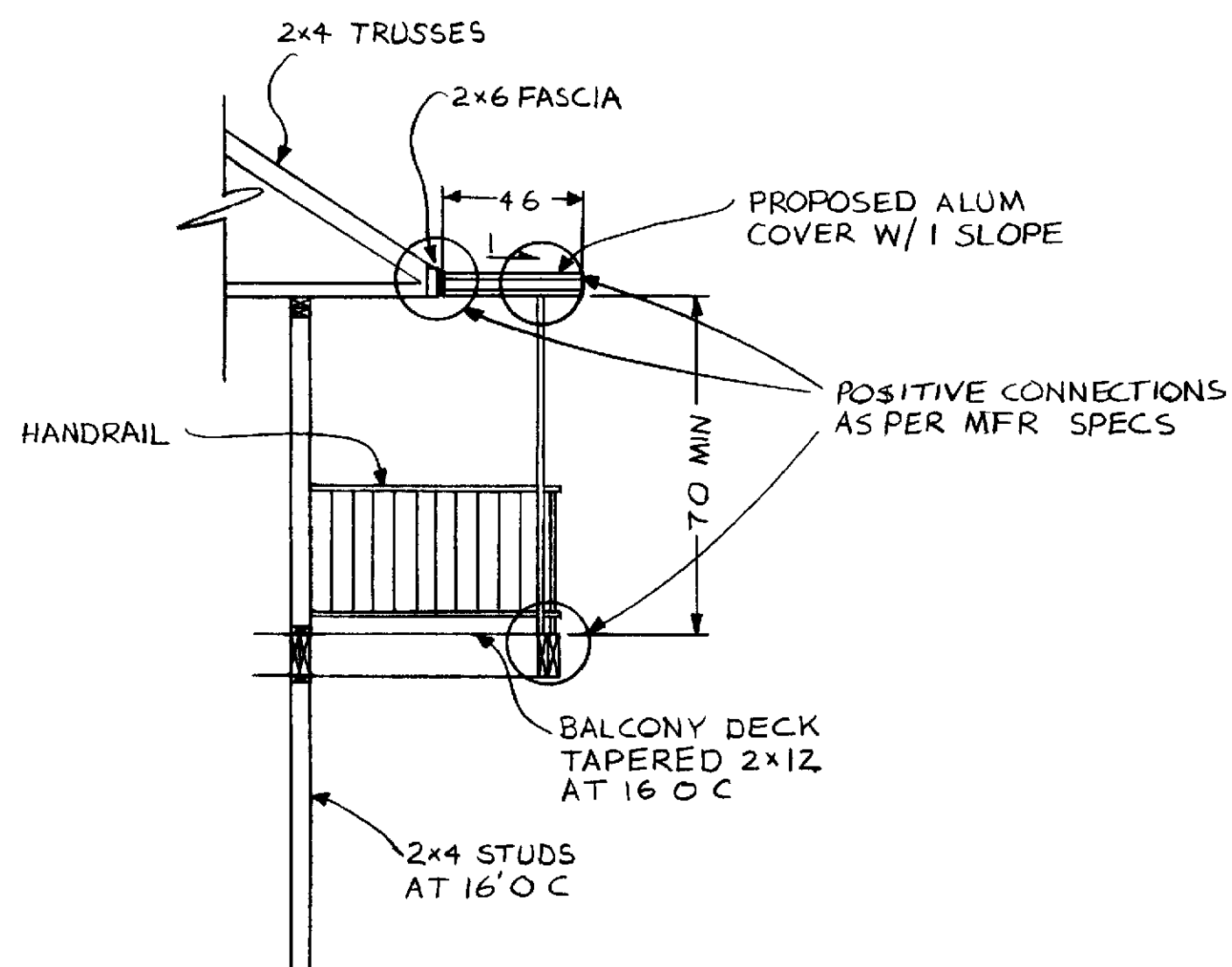


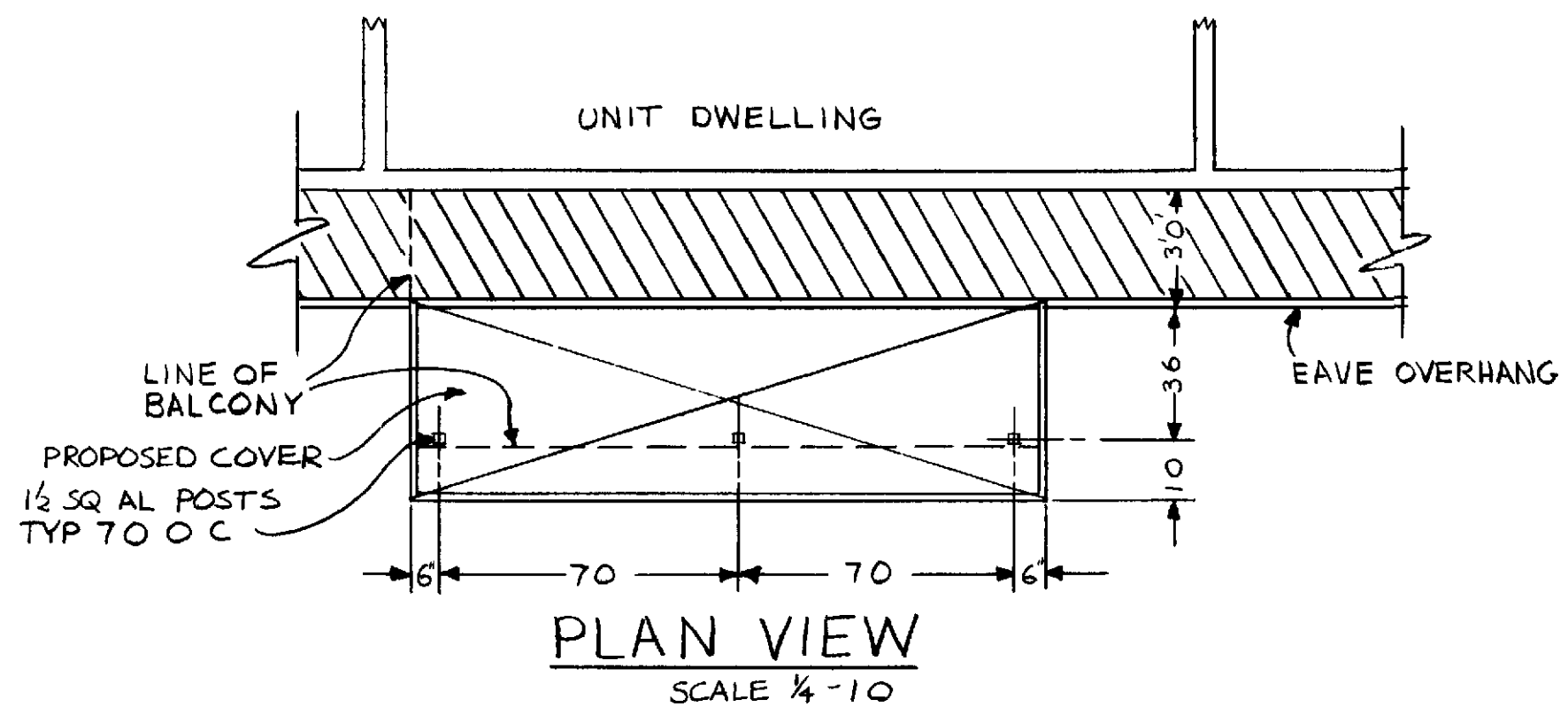
**REAR ELEVATION**  
SCALE 1/8"=10



**SIDE ELEVATION**  
SCALE 1/8"=10



**SECTION A**  
SCALE 1/4"=10



**PLAN VIEW**  
SCALE 1/4"=10

**NOTES**

- 1 DIMENSIONS HAVE PREFERENCE OVER SCALE
- 2 CONTRACTOR SHALL VERIFY ALL CONDITIONS AND DIMENSIONS AT JOB SITE
- 3 ALL PHASES OF CONST SHALL COMPLY W/CURRENT ED UBC AND/OR STATE AND LOCAL CODES
- 4 CONTRACTOR SHALL SECURE AND PAY FOR ALL PERMITS REQD BY P.C.M AND THE C.C BLDG DEPT
- 5 UPON COMPLETION OF WORK CONTRACTOR SHALL REMOVE ALL DEBRIS AND LEAVE WORK AREA BROOM CLEAN
- 6 PATIO COVER SUPPORTING MEMBERS GUTTER & DOWNSPOUT SHALL BE ALUM W/BAKED ENAMEL FINISH
- 7 PATIO COVER MANUF SHALL FURNISH BLDG OFFICIALS W/CALCS & SHOP DRAWINGS SIGNED BY A CIVIL OR STRUCTURAL ENG. CALCS SHALL CONSIDER BOTH LATERAL RESISTANCE AND VERTICAL LOADING

**SPECIAL NOTES**

- A PROVIDE A SPLASH BLOCK AT ALL DOWNSPOUTS
- B ALUM FASCIA TO BE DARK BROWN IN COLOR DO NOT PAINT ALUM
- C CAULK AT FASCIA TO COVER TO PROVIDE A WATERPROOF SEAL & AT ALL JOINTS AS NEEDED

(713-515)

ALUMINUM BALCONY COVER  
LH-121 A B & C  
ARAGON

LEISURE WORLD  
STANDARD PLAN  
NUMBER 218 **218**

PC M INC  
DRAWN BY CHRIS MANGELS  
APPROVED BY \_\_\_\_\_

PCM INC  
PO BOX 2220 LAGUNA HILLS  
380 4616

DRAWN JULY 6, 1976  
REDRAWN MAY 14 1986