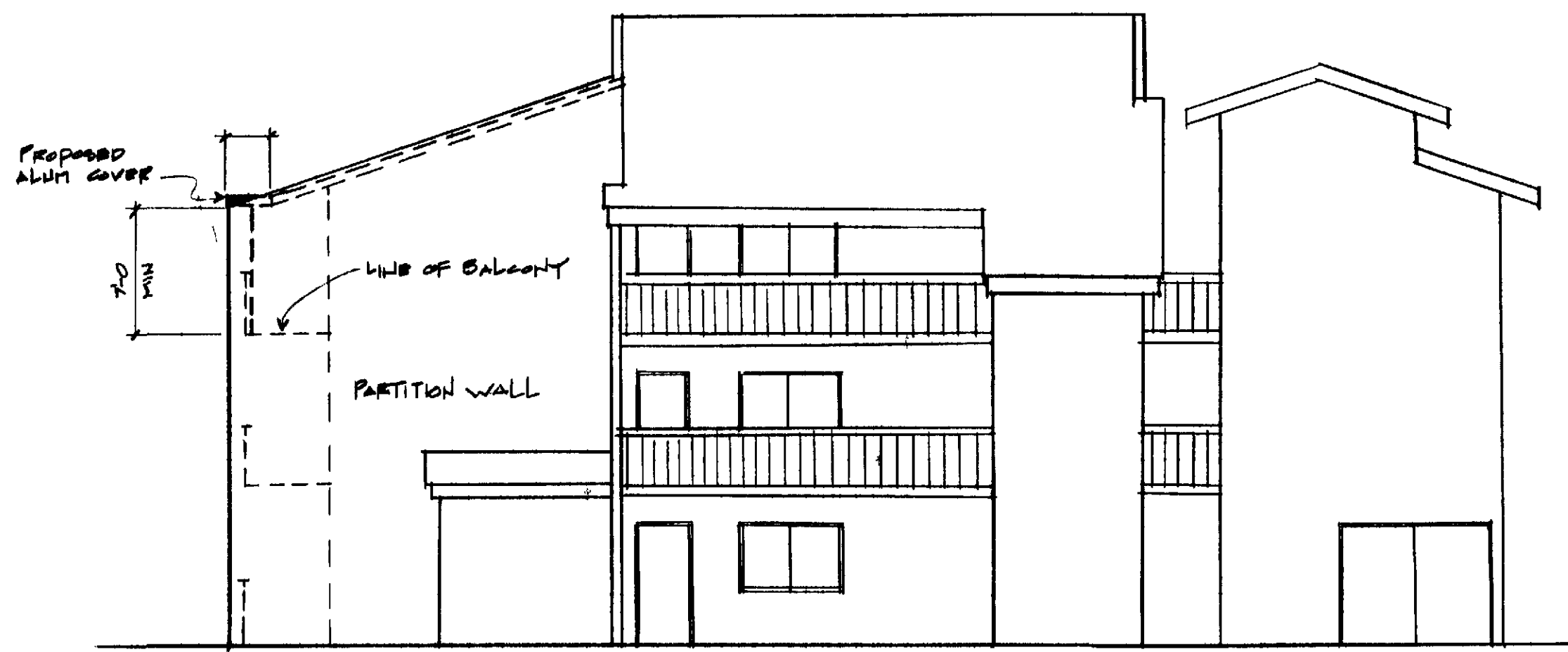
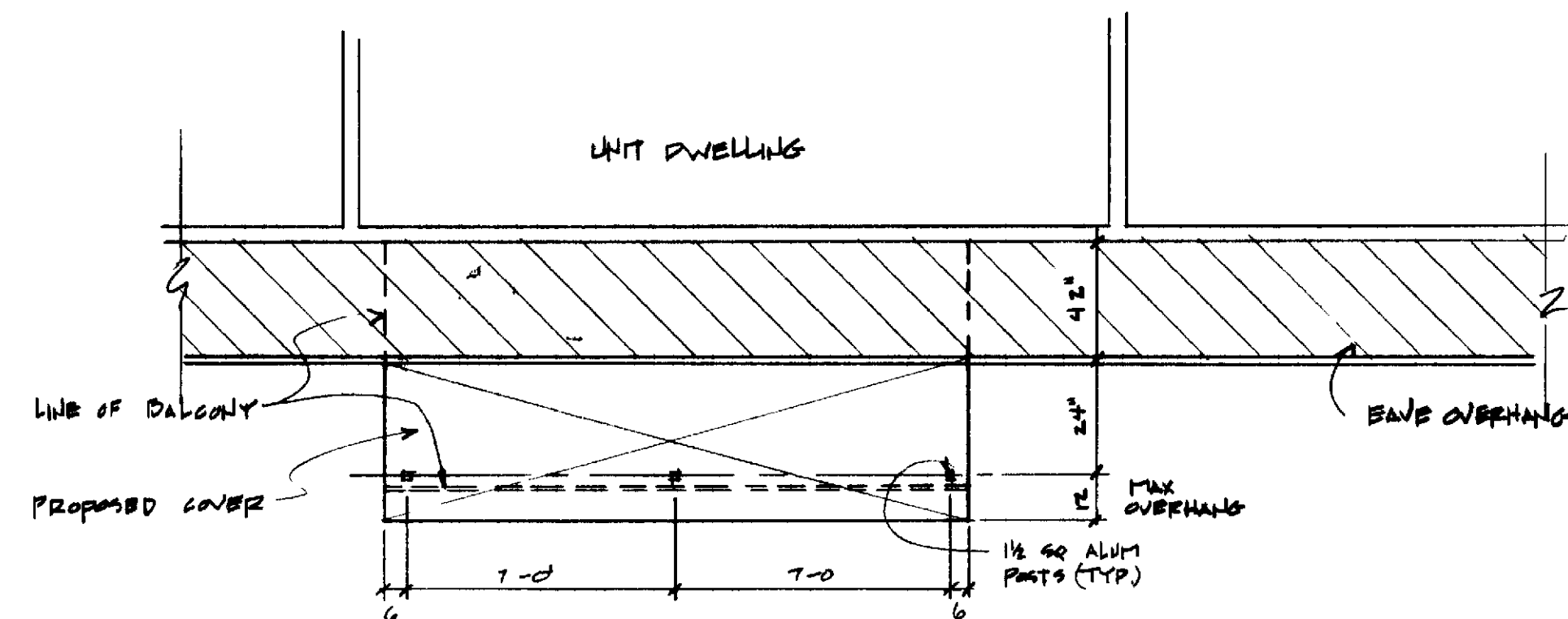


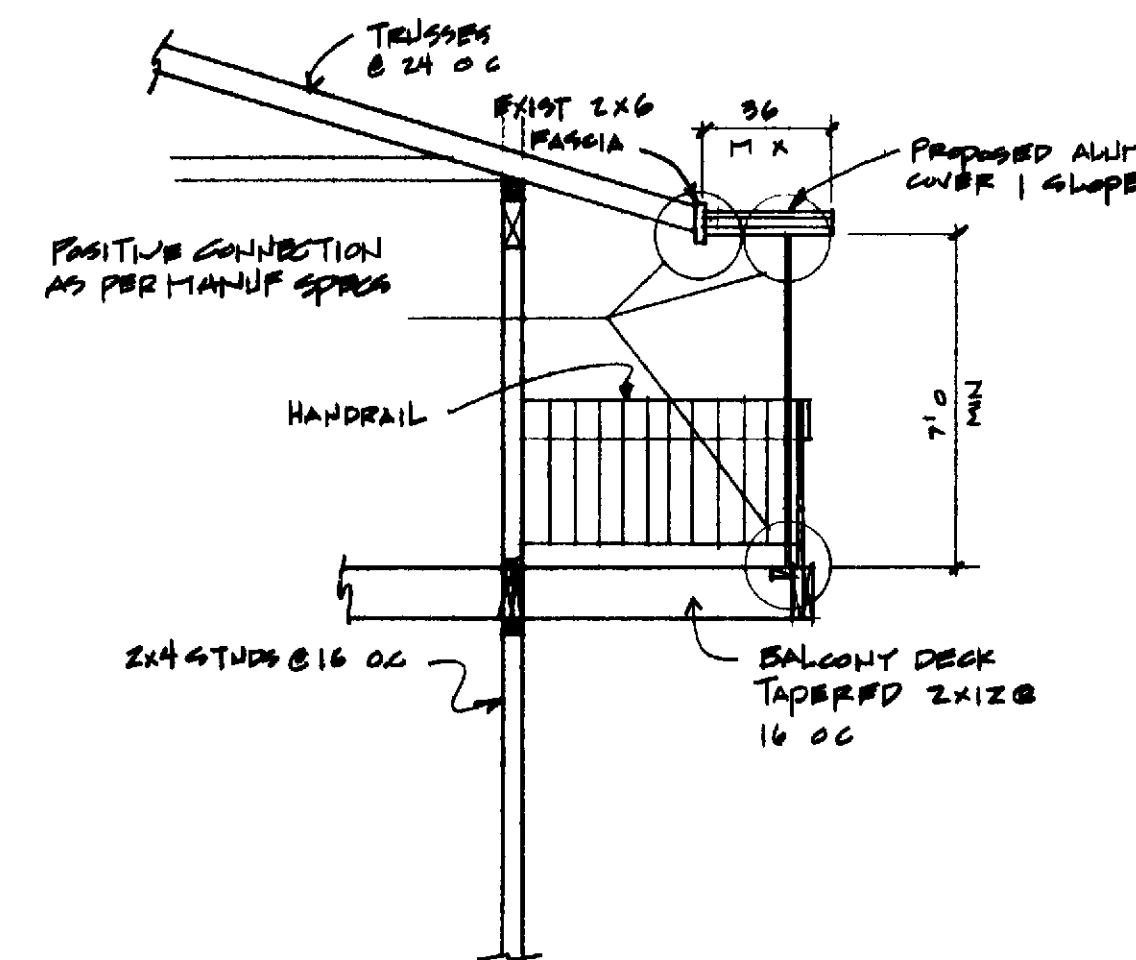
REAR ELEVATION  
 1/8" = 1'-0"



SIDE ELEVATION  
 1/8" = 1'-0"



PLAN VIEW  
 1/4" = 1'-0"



SECTION A  
 1/4" = 1'-0"

GENERAL NOTES

- 1 DIMENSIONS HAVE PREFERENCE OVER SCALE
- 2 CONTRACTOR SHALL VERIFY ALL CONDITIONS PRIOR TO ANY WORK
- 3 ALL PHASES OF CONST SHALL COMPLY W/ THE CURRENT BD USE AND/ R STATE AND LOCAL CODES
- 4 CONTRACTOR SHALL SECURE & PAY FOR ALL PERMITS PER D (BY PCM) AND THE O C BLDG DEPT
- 5 UPON COMPLETION OF WORK CONTRACTOR SHALL REMOVE ALL DEBRIS AND LEAVE ALL AREAS OF WORK BROOM CLEAN
- 6 PATIO COVER SUPPORTING MEMBERS GUTTER & DOWNSPOUT SHALL BE ALUM W/ BAKED ENAMEL FINISH
- 7 PATIO COVER MANUF SHALL FURNISH BLDG OFFICIALS W/ GNCS & SHOP DRAWINGS SIGNED BY A CIVIL OR STRUCTURAL ENR. GNCS SHALL CONSIDER BOTH VERTICAL LOADING & LATERAL RESISTANCE

SPECIAL NOTES

- A PROVIDE A SPLASH BLOCK AT EVERY DOWNSPOUT
- B ALUM FASCIA TO BE DARK BROWN IN COLOR DO NOT PAINT ALUM
- C CHALK AT FASCIA TO COVER TO PROVIDE WATERPROOF SEAL & AT ALL JOINTS AS NEEDED

ALUMINUM BALCONY COVER  
 METAL FABRIC SYSTEMS  
 1000 W. 10TH AVENUE  
 DENVER, CO 80202  
 (303) 733-1111  
 WWW.METALFABRIC.COM  
 APPROVED BY  
 [Signature]  
 857-2520