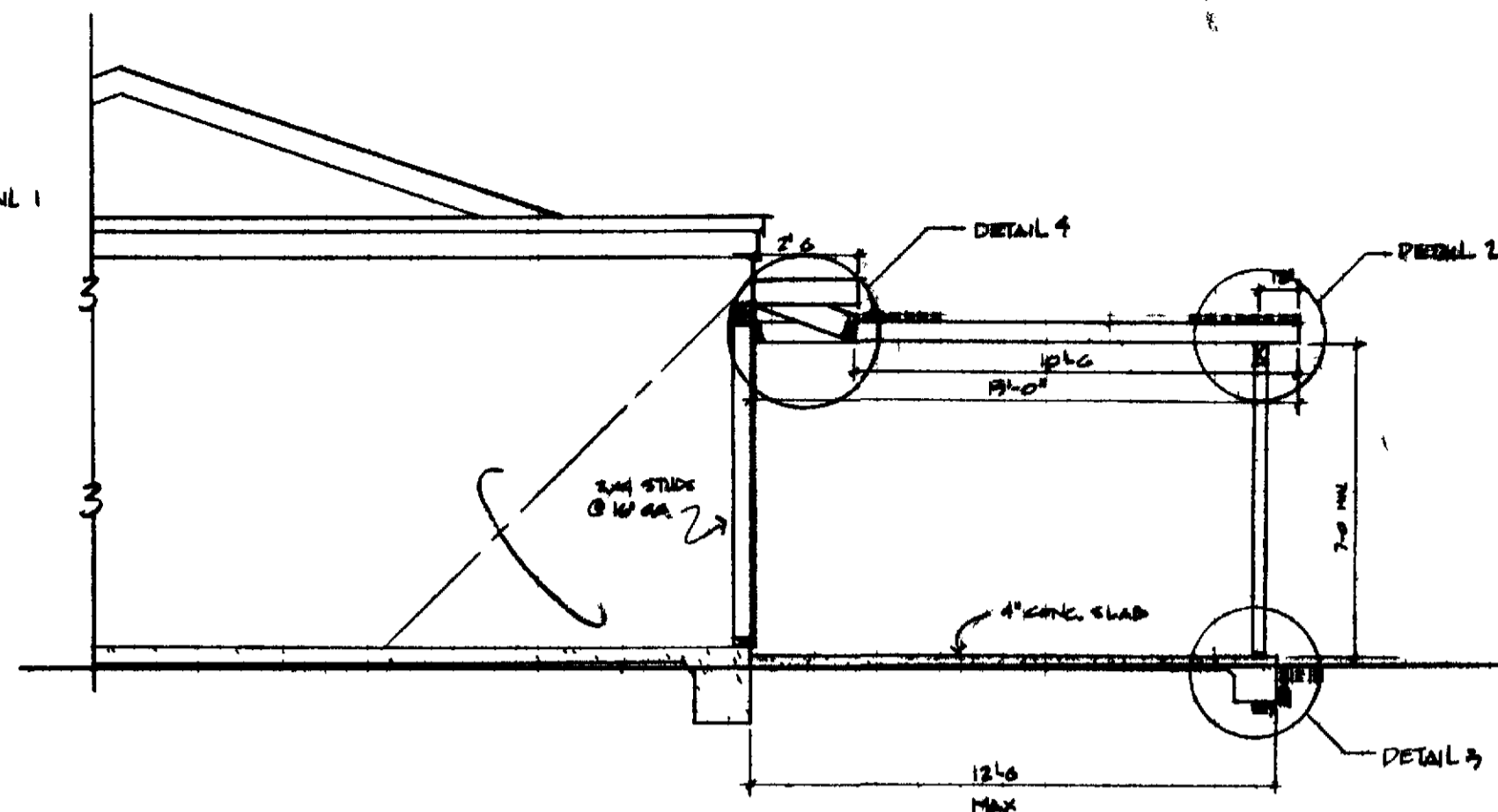
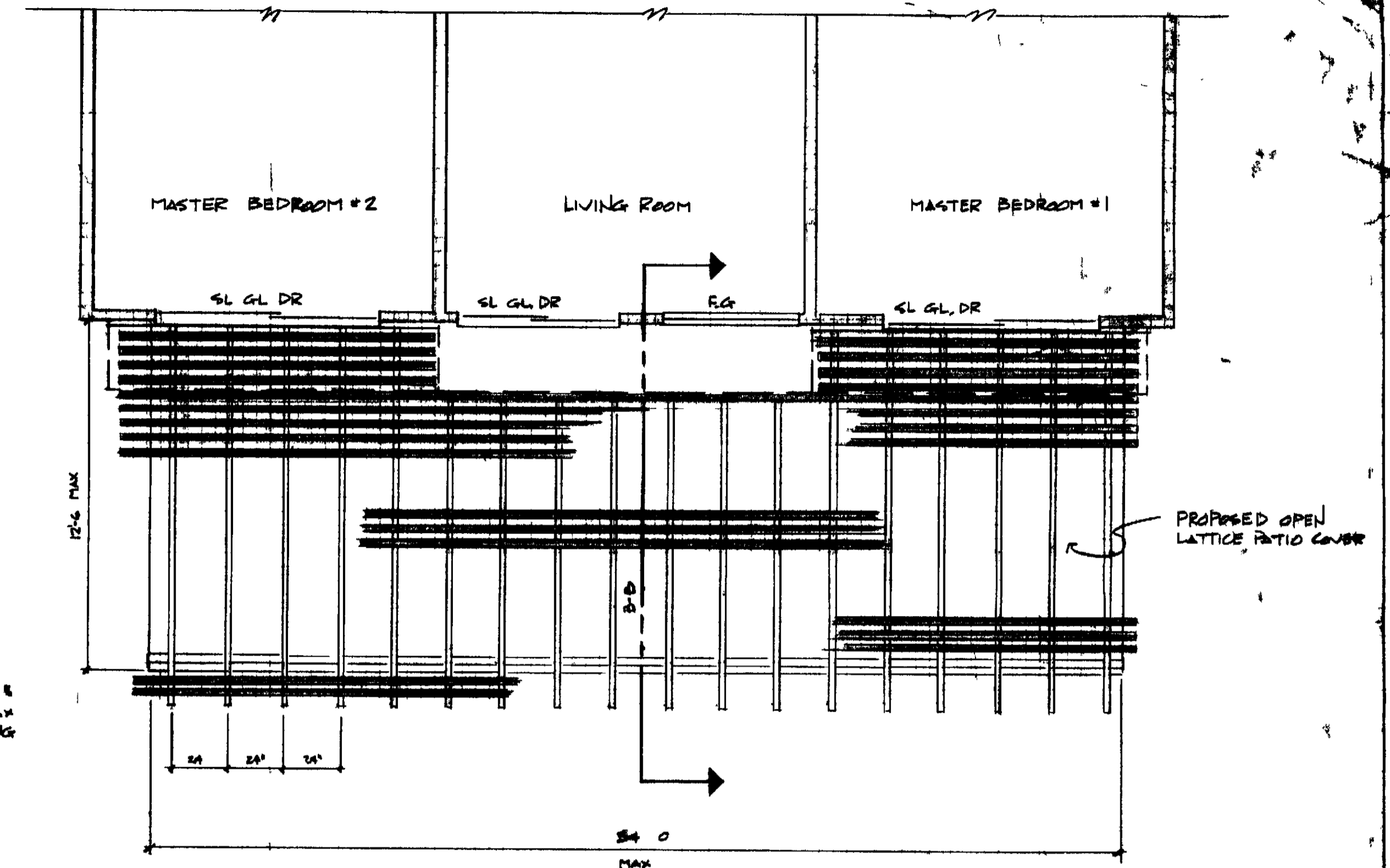


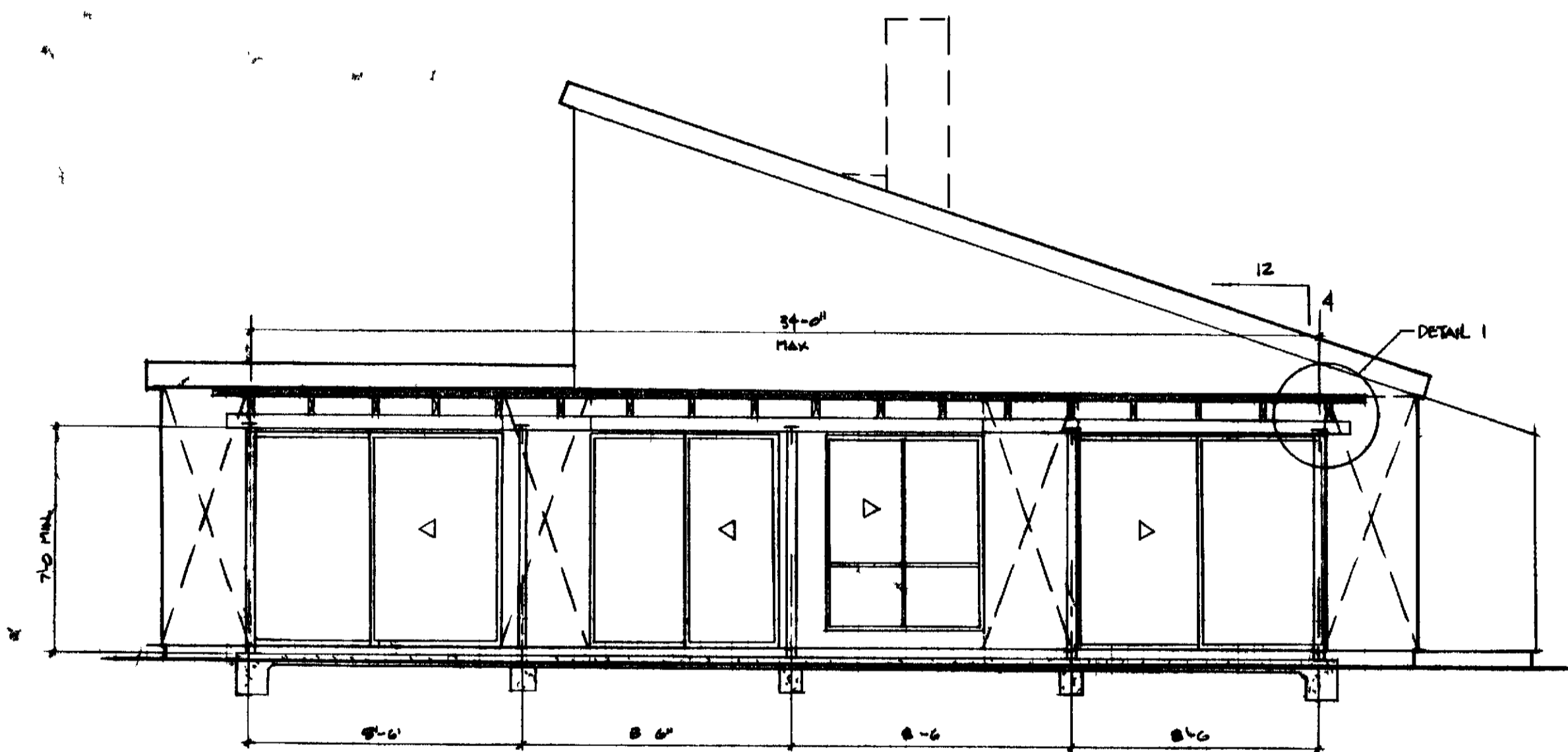
REAR ELEVATION PLAN A
SCALE 1/4" = 1'-0"



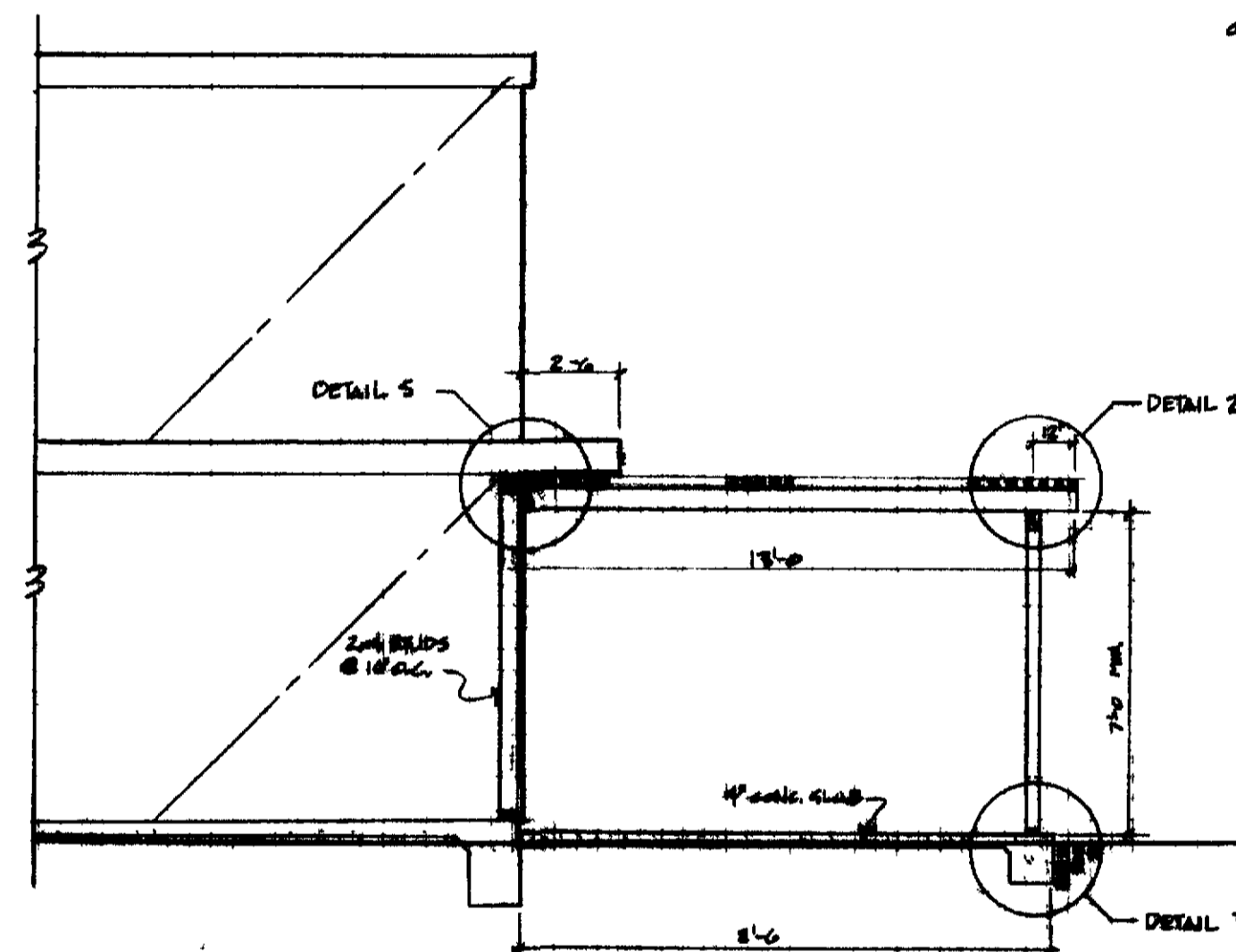
SECTION B-B
SCALE 1/4" = 1'-0"



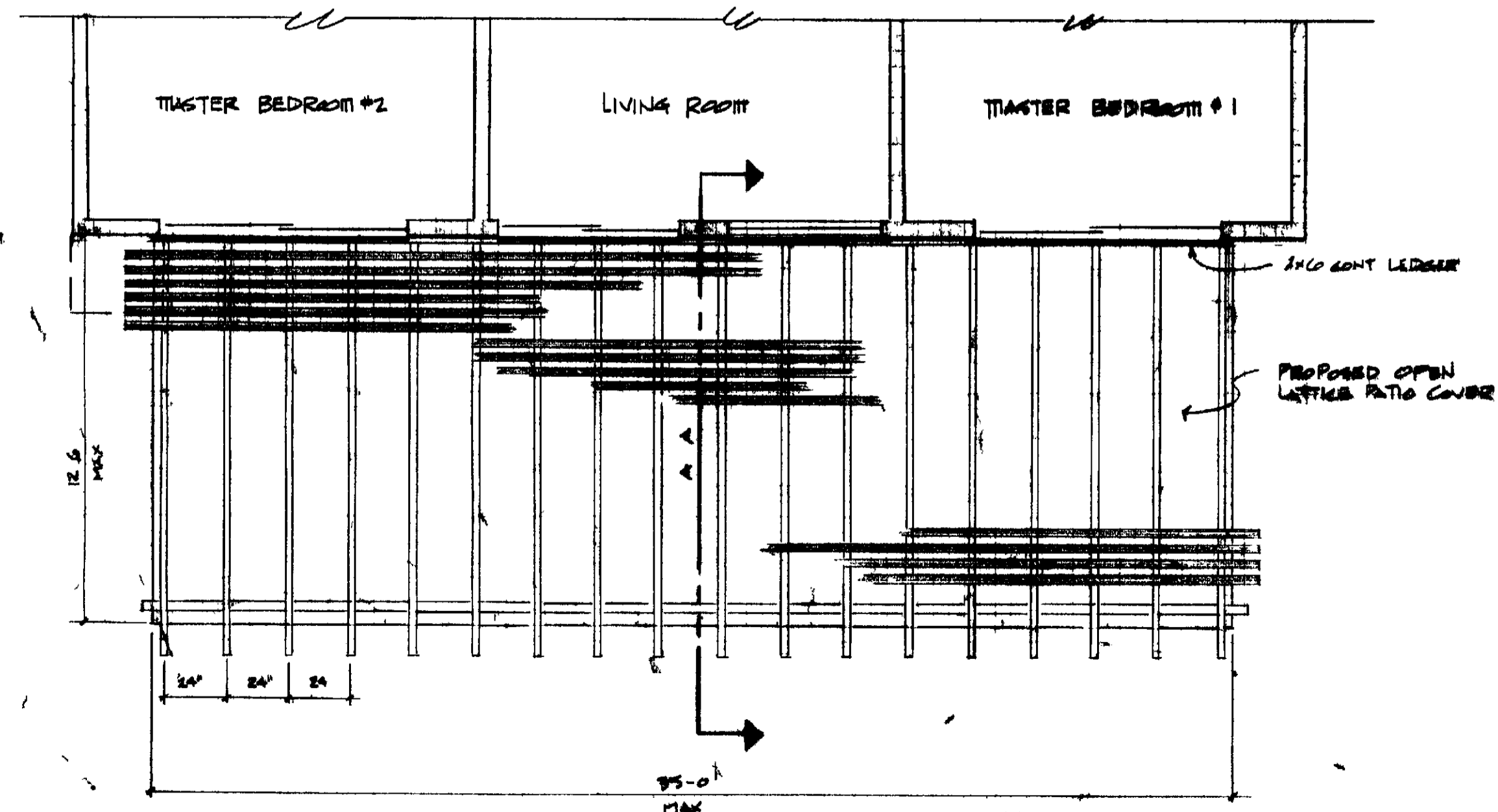
PARTIAL FLOOR PLAN A
SCALE 1/4" = 1'-0"



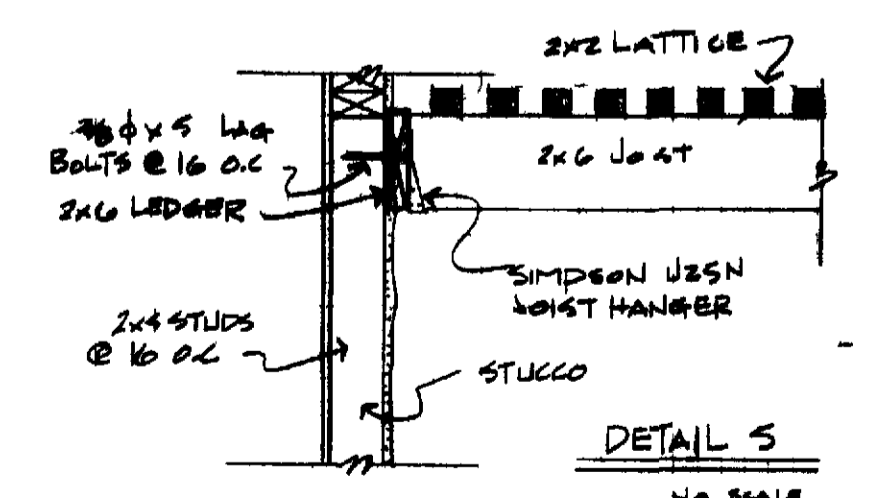
REAR ELEVATION PLAN B/C
SCALE 1/4" = 1'-0"



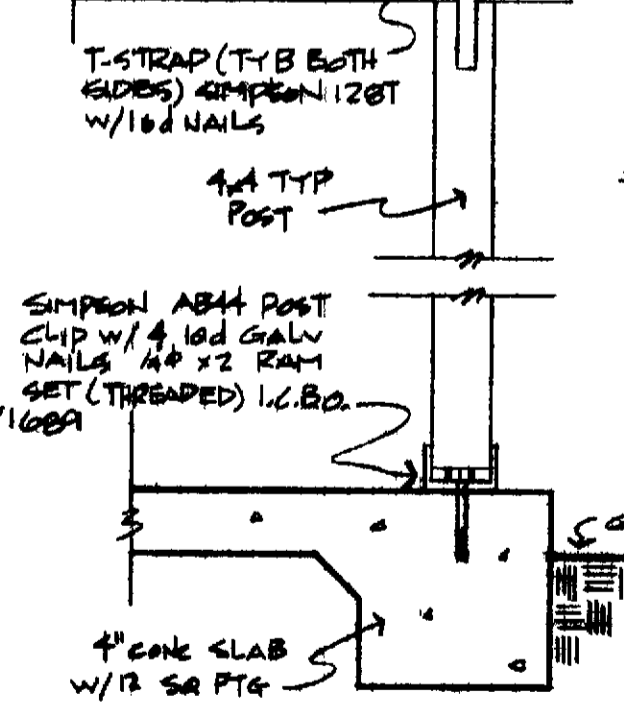
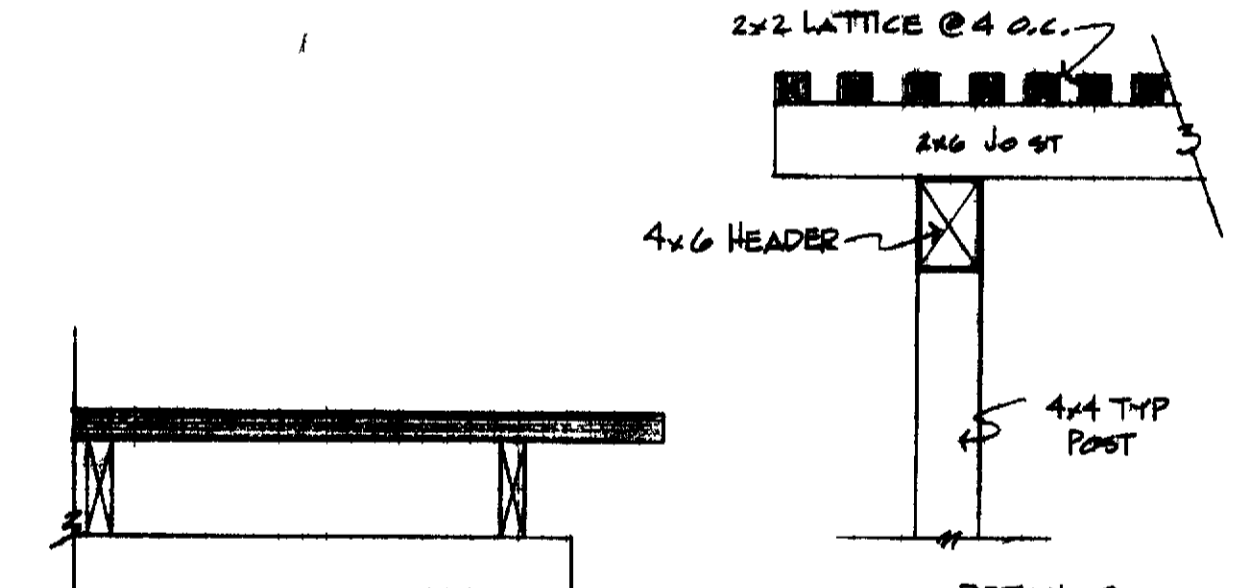
SECTION A-A
SCALE 1/4" = 1'-0"



PARTIAL FLOOR PLAN B/C
SCALE 1/4" = 1'-0"

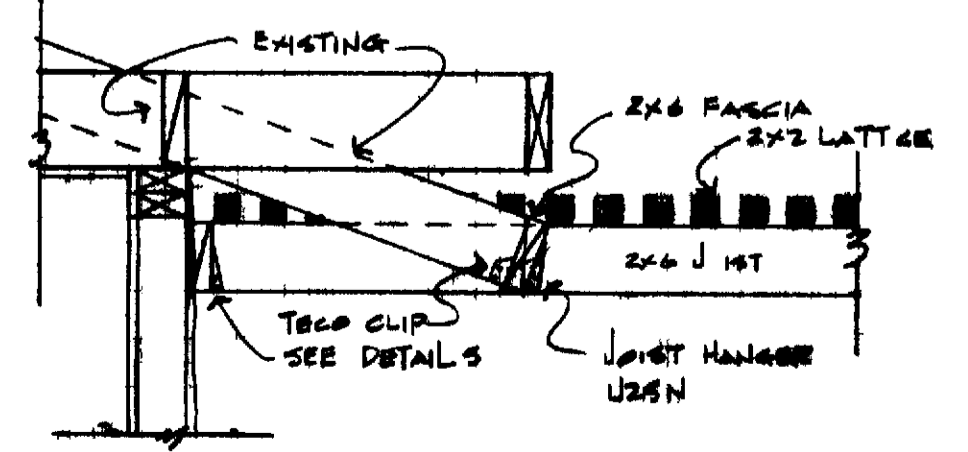


ALLOWABLE SPANS		
MEMBER	SPACING	SPAN
2x6	12' OC	16'-0"
	10'	14'-0"
	8'	11'-0"
	6'	10'-0"
	4'	8'-0"
2x8	24'	15'-0"
	18'	11'-0"
	12'	8'-0"
	8'	5'-0"
HEADERS	4x4	8'-0"
	4x6	11'-0"
	4x8	14'-0"



DETAIL 1
NO SCALE

DETAIL 3
NO SCALE



DETAIL 4
NO SCALE

GENERAL NOTES

1. DIMENSIONS HAVE PREFERENCE OVER SCALE.
2. CONTRACTOR SHALL VERIFY ALL CONDITIONS AND DIMENSIONS AT EACH JOB SITE.
3. ALL PHASES OF CONSTRUCTION SHALL COMPLY WITH CURRENT LOCALS AND/OR STATE AND LOCAL CODES.
4. CONTRACTOR SHALL SECURE & PAY FOR ALL PERMITS REQUIRED BY PGM INC & BY THE A.C. BUILDING DEPARTMENT.
5. UPON COMPLETION CONTRACTOR SHALL REMOVE ALL DEBRIS & EXCESS MATERIAL AND LEAVE ALL AREAS OF WORK BROOM CLEAN.
6. ALL WOOD MEMBERS SHALL BE STAINED TO MATCH EXISTING TRIM. METAL TO BE PAINTED FLAT BLACK.
7. VERTICAL FRAMING SHALL BE STUD GRADE OR BETTER. HORIZONTAL FRAMING SHALL BE #2 DIF L OR BETTER.
8. CONCRETE TO BE 2000 PSI @ 28 DAYS, MIN.
9. ALL FASTENERS EXPOSED TO WEATHERING SHALL BE GALVANIZED.
10. IF AIR CONDITIONER IS AFFECTED & MUST BE RELOCATED THE CONTRACTOR IS RESPONSIBLE FOR PROVIDING THE REMOVAL & REINSTALLATION THEREOF.
11. LATTICE MAY BE OMITTED IN FAVOR OF A SOLID ROOF 1/2" EXT. REINFORCED W/ BUILT-UP ROOFING (SEE NOTES).

* CONCRETE THAT WILL BE EXPOSED TO SOIL CONTAINING CHLORIDE CONCENTRATIONS OF MORE THAN 0.2% SHALL BE MADE W/ TYPE III CEMENT.

* BUILT-UP ROOF TO BE AS FOLLOWS PER IRC SHIMMER FIBER:
 CONTAINS TYPE III (1 LAYER) 20 LBS CONCRETE TYPE A (3 LAYERS) - 75 LBS; HOT FIBER ASPHALT FLASH - 20 LBS; 3/8" FIRE RESISTANT GYPSUM BOARD - 40 LBS; GRAVEL (2" 1/2") 40 LBS @ 1000-14 - 400 LBS; SLAB, SEE SPEC.

OPEN LATTICE PATIO COVER

APPROVED BY
 [Signature]