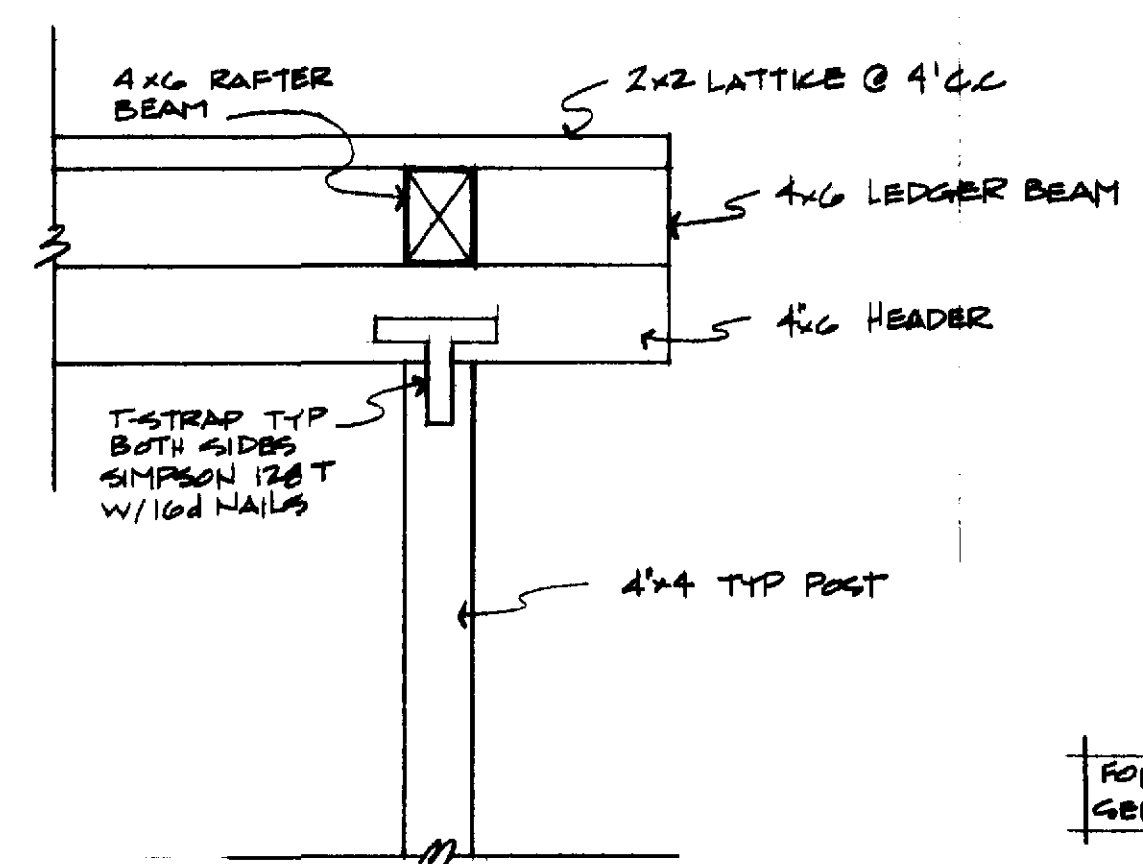
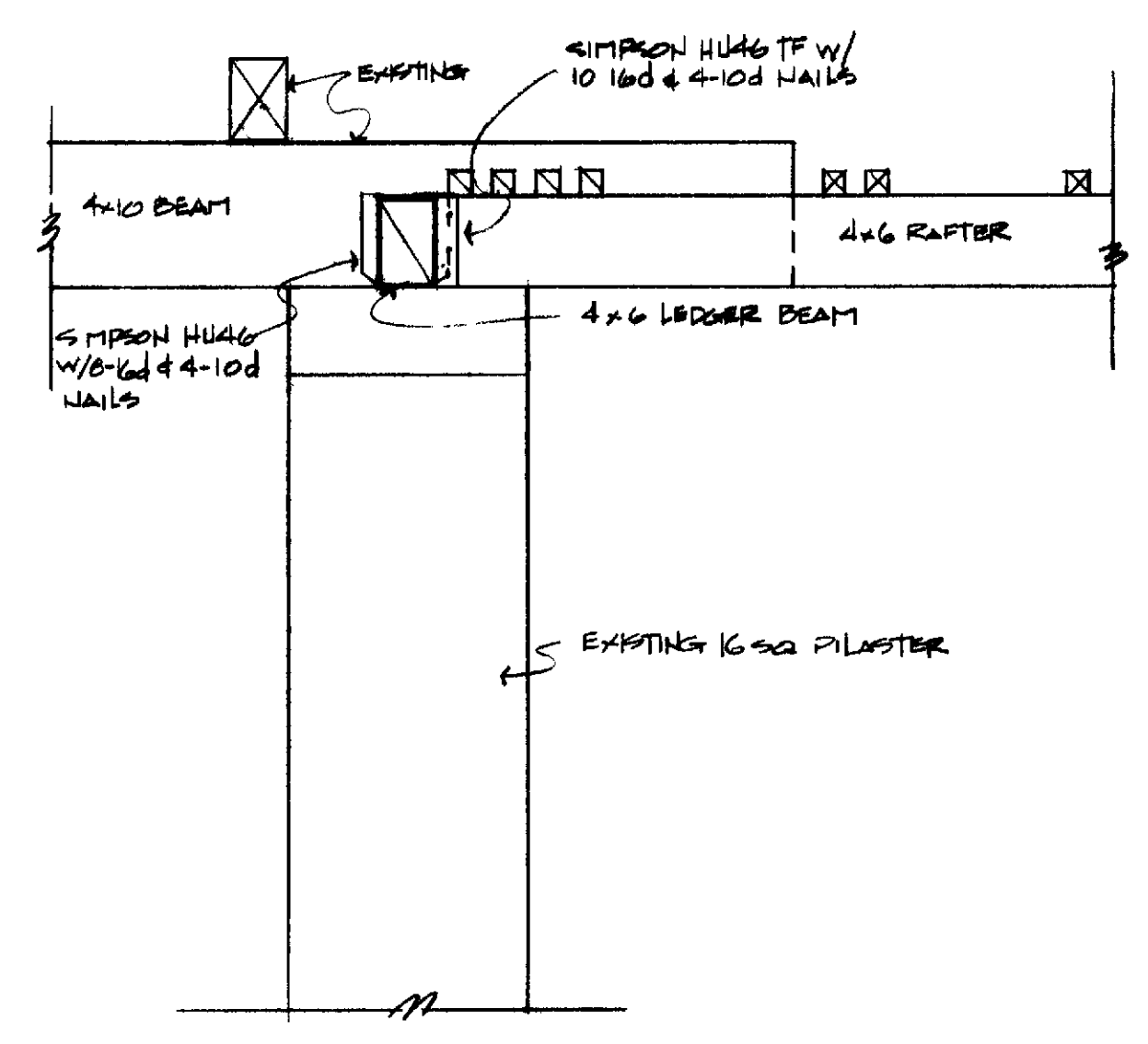


PARTIAL FLOOR PLAN
SCALE 1/4" = 1'-0"

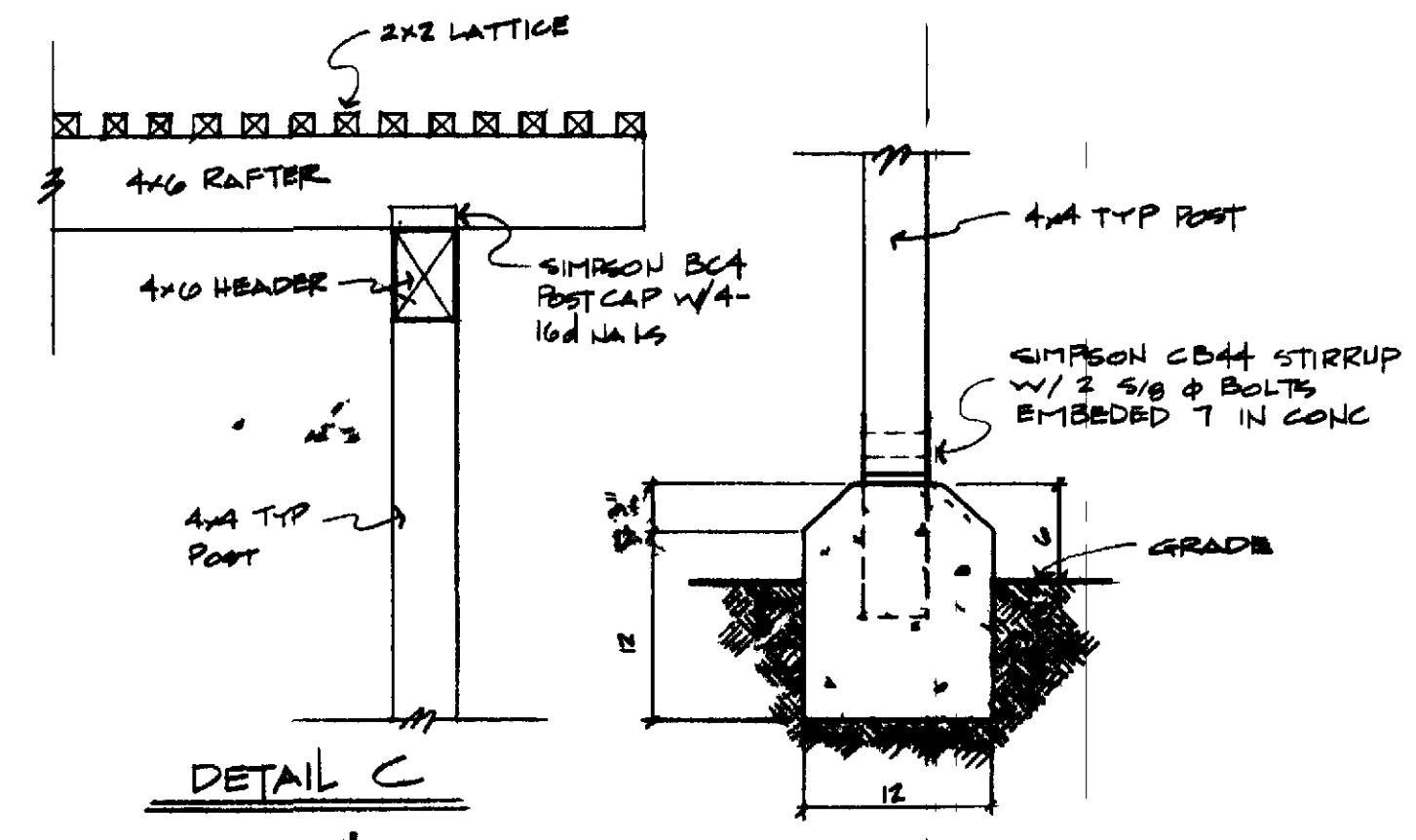


DETAIL A
SCALE 1/2" = 1'-0"

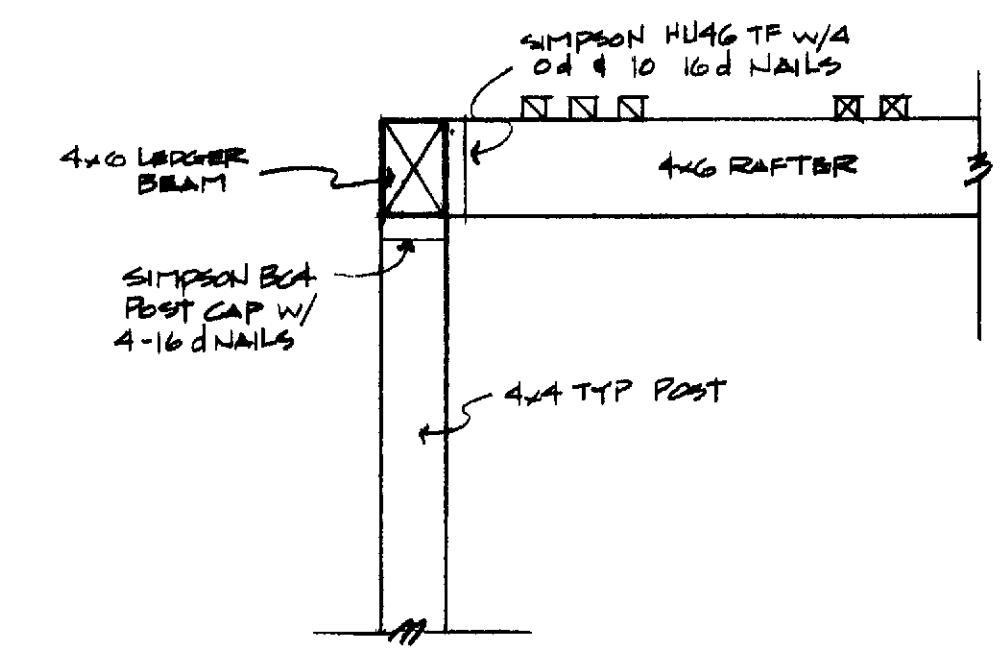
FOR GENERAL NOTES
SEE PAGE 2



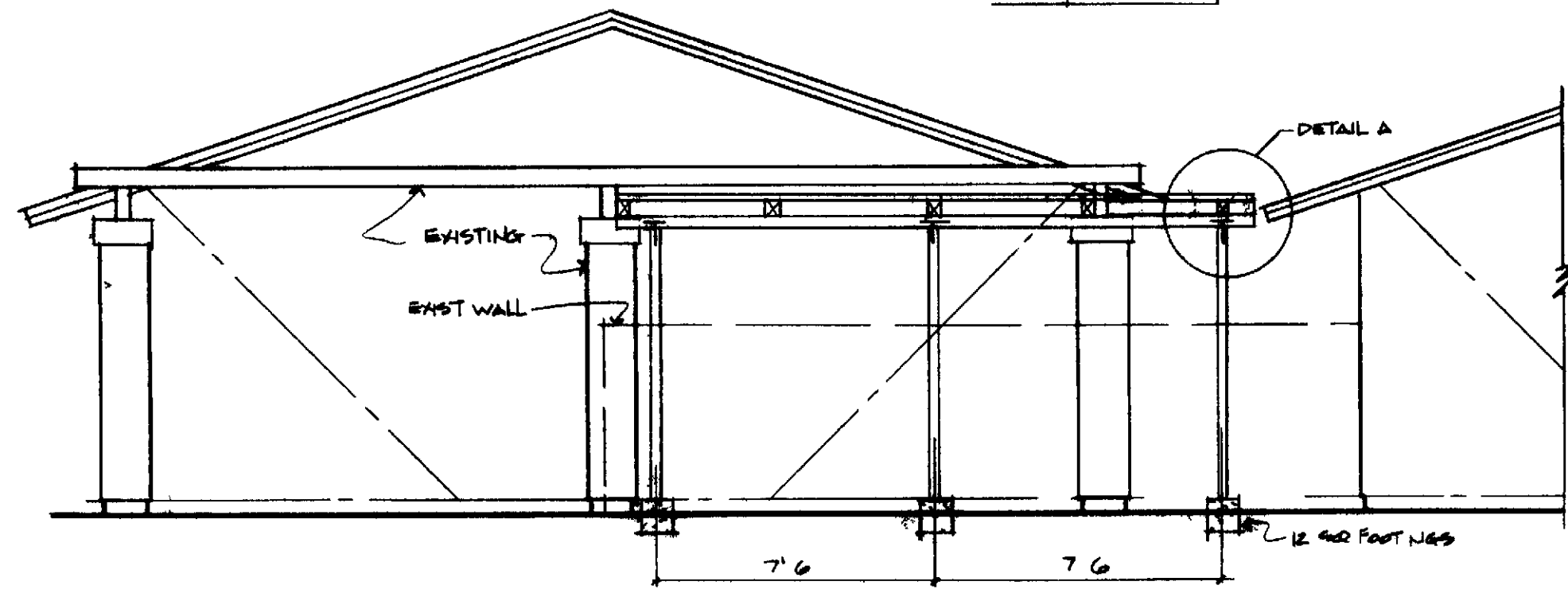
DETAIL B
SCALE 1" = 1'-0"



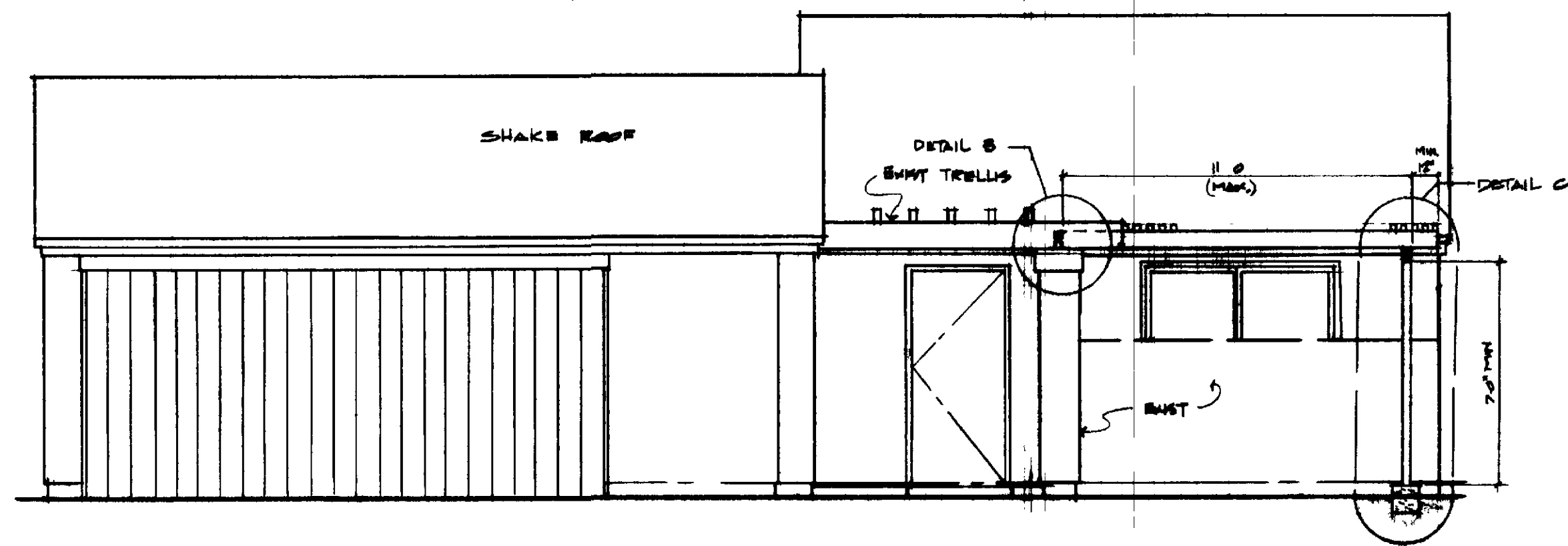
DETAIL C
SCALE 1" = 1'-0"



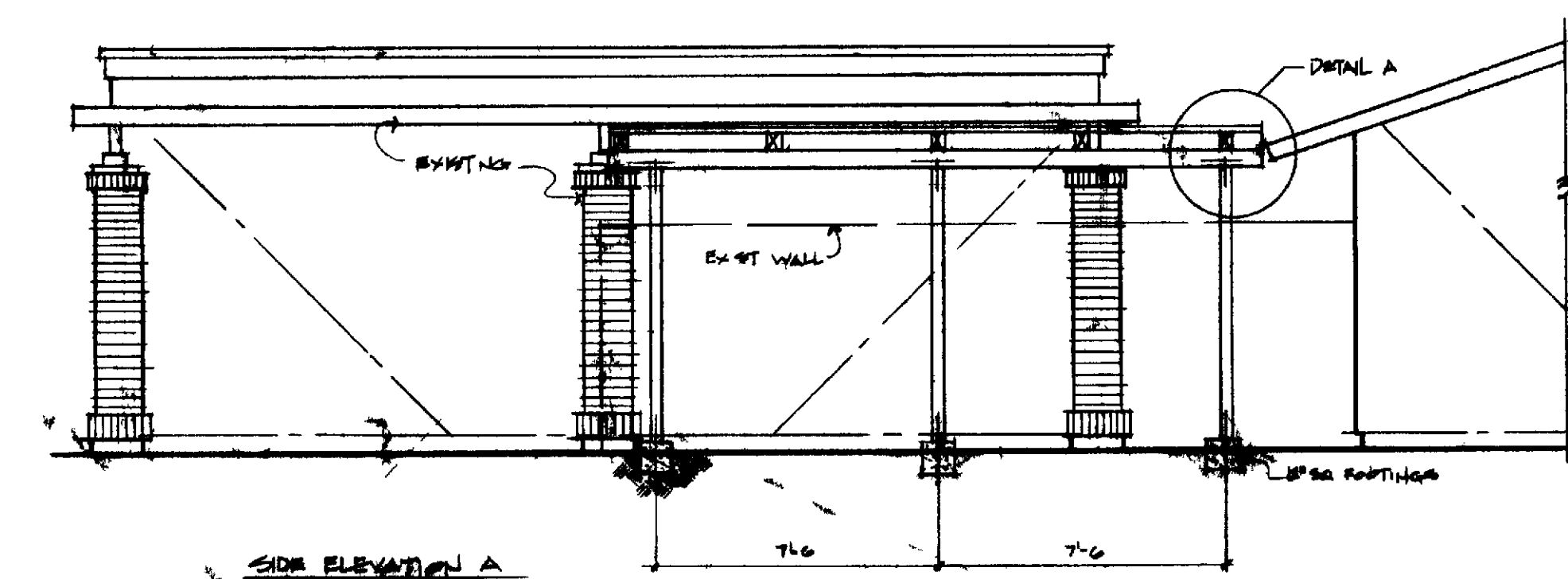
DETAIL D
SCALE 1" = 1'-0"



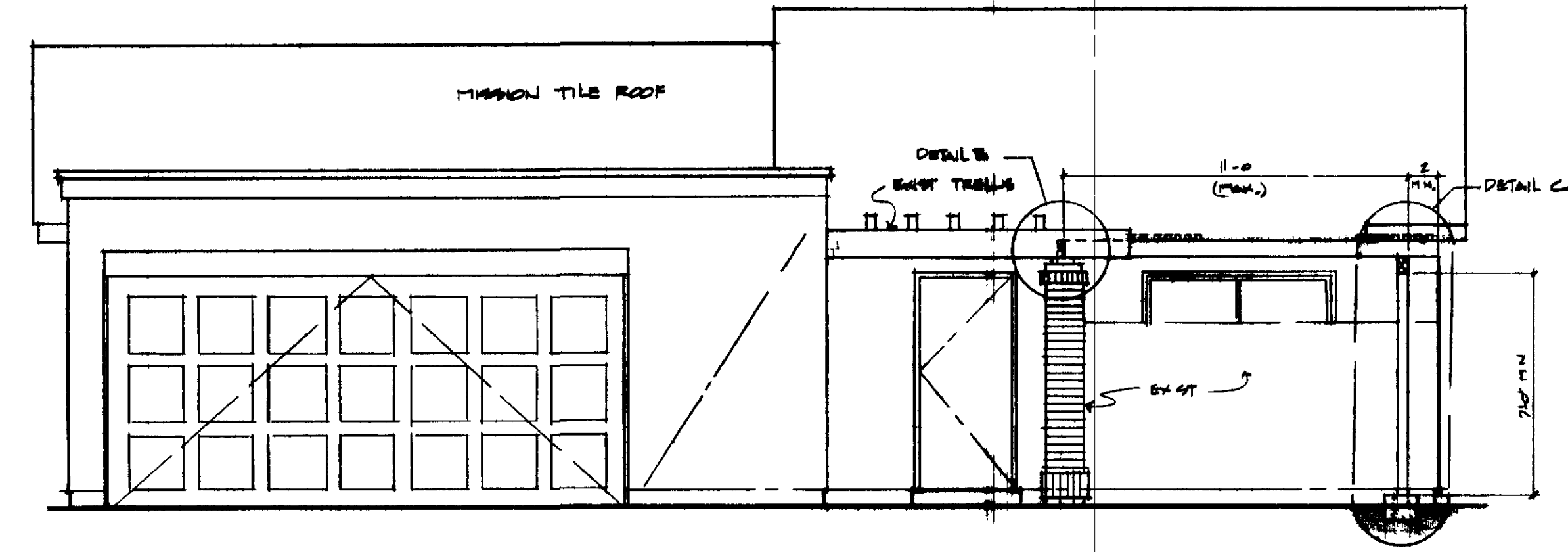
SIDE ELEVATION B
SCALE 1/4" = 1'-0"



FRONT ELEVATION B
SCALE 1/4" = 1'-0"



SIDE ELEVATION A
SCALE 1/4" = 1'-0"



FRONT ELEVATION A
SCALE 1/4" = 1'-0"

ALLOWABLE SPANS (MAX)		
SIZE	SPACER	SPAN
2x6	24" OC	11'-0"
	32" OC	10'-0"
	48" OC	8'-0"
2x8	48" OC	11'-0"
4x4	48" OC	11'-0"
4x6	48" OC	11'-6"
4x6	HEADERS	8'-0"
4x8		11'-0"
4x10		15'-0"

PAGE 1 OF 2
 (73 475)
 OPEN LATTICE PATIO COVER
 FRONT ANDALUZ RAS A BIC
 LEISURE WORLD
 STANDARD PLAN
 NUMBER 197
 PROFESSIONAL COMMUNITY MGMT INC
 APPROVED
 PC M INC
 P.O. B. 2800
 NOV 7 1974
 380-4616
 LAGUNA HILLS
 TOSW