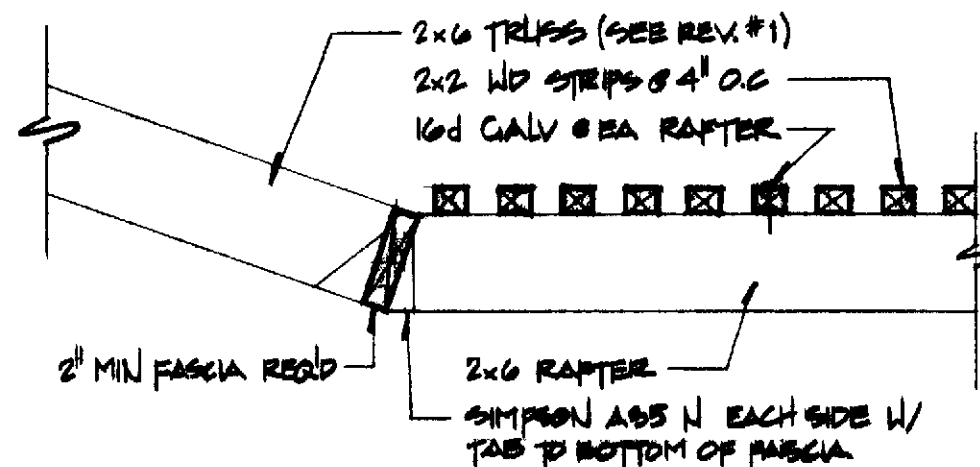
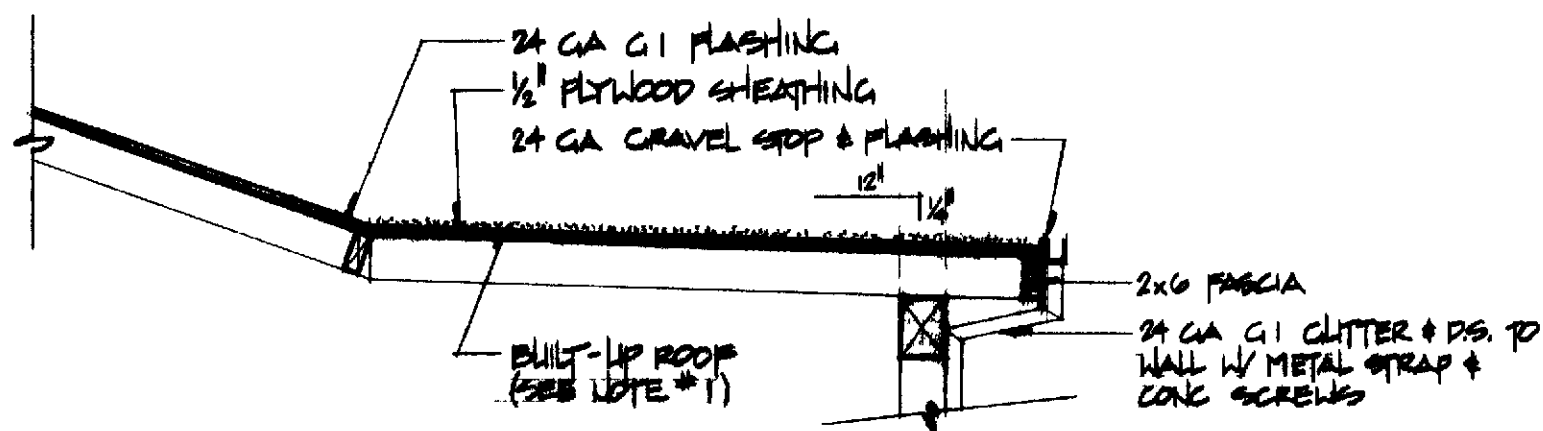


EXTERIOR ELEVATIONS

SCALE 1/8" = 1' 0"

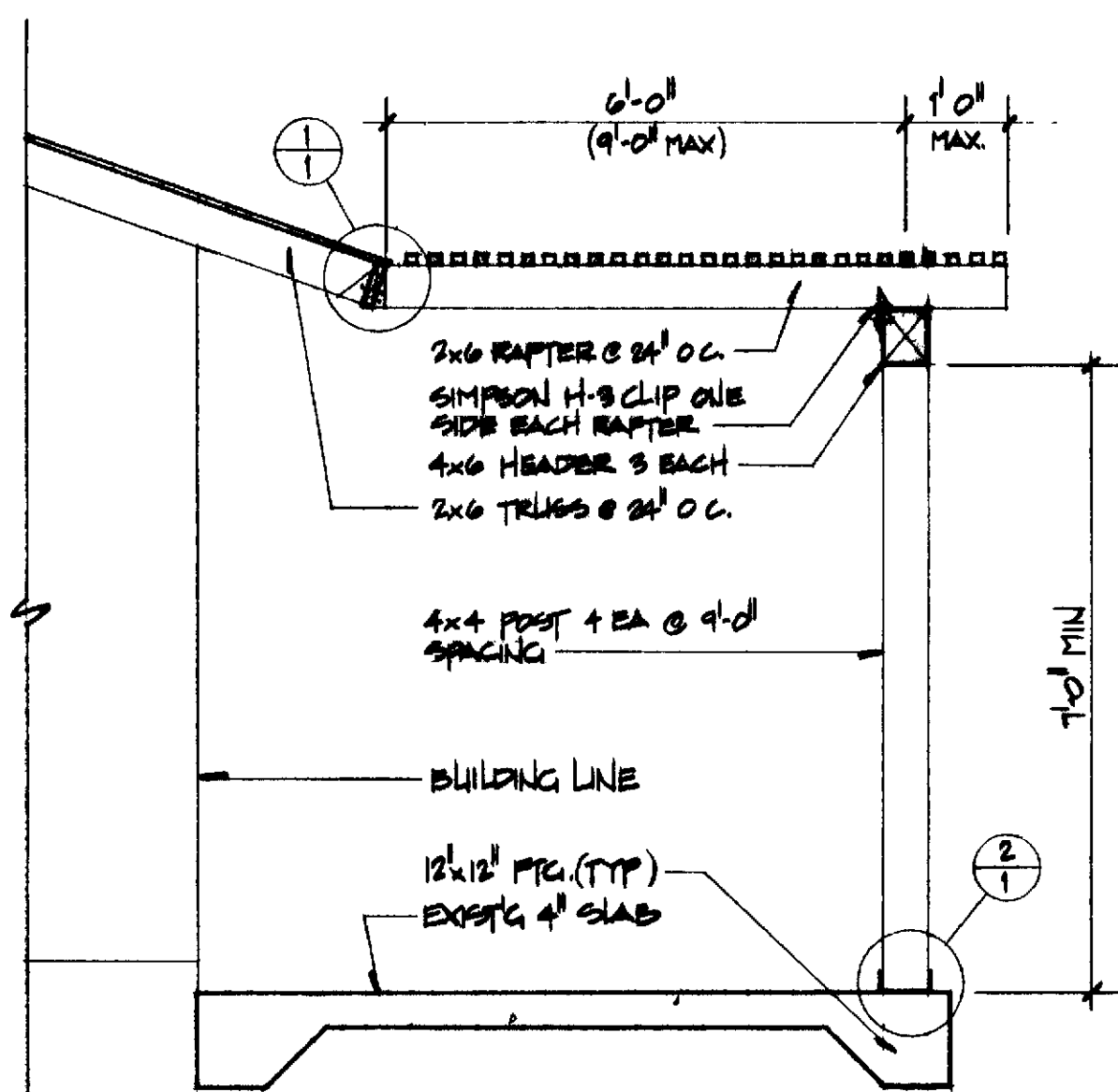


SOLID PATIO COVER

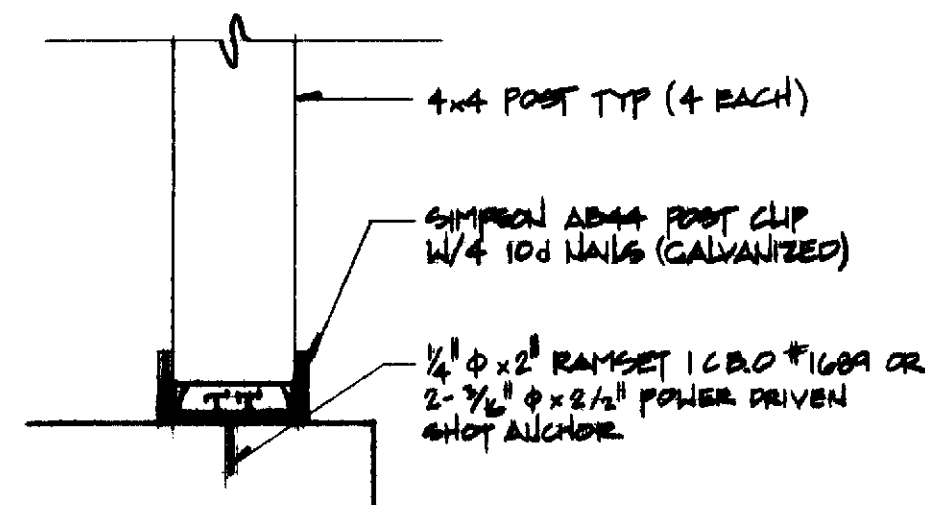
NO SCALE

1 LATTICE COVER & FASCIA

NO SCALE

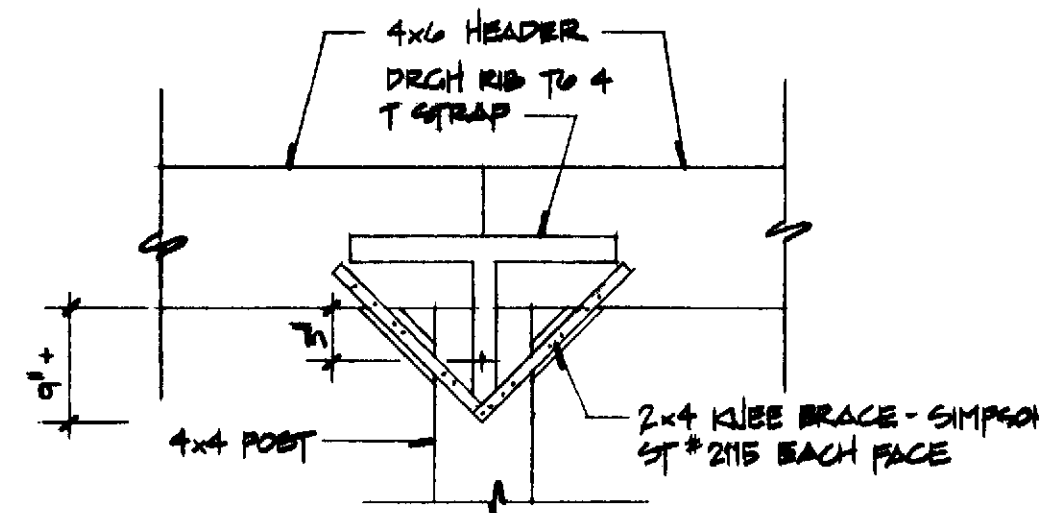


ALLOWABLE SPANS		
2x6	24" O.C	9' 6"
2x8	32"	9' 11"
HEADERS		
4x4		5'-0"
4x6		8'-0"
4x8		11'-0"
4x10		14'-0"



2 POST @ SLAB

NO SCALE



3 POST @ HEADER

NO SCALE

A SECTION

SCALE 1/2" = 1' 0"

GENERAL NOTES

- 1) DIMENSIONS HAVE PREFERENCE OVER SCALE
- 2) CONTRACTOR SHALL VERIFY ALL DIMENSIONS & CONDITIONS @ EACH JOB SITE
- 3) ALL PHASES OF CONSTRUCTION SHALL COMPLY WITH THE CURRENT ED OF THE U.B.C. AND/OR STATE & LOCAL CODES
- 4) ALL WOOD MEMBERS SHALL BE STAINED TO MATCH EXISTING TRIM, METAL SHALL BE PAINTED FLAT BLACK
- 5) CONTRACTOR SHALL SECURE & PAY FOR ALL PERMITS REQUIRED BY P.C.M. AND THE ORANGE CO DEPT OF BUILDING & SAFETY
- 6) UPON COMPLETION THE CONTRACTOR SHALL REMOVE ALL DEBRIS & EXCESS MATERIALS & LEAVE ALL AREAS OF WORK BROOM CLEAN
- 7) PATIO COVER DESIGNED FOR LL 10 PSF DL = 5 PSF
- 8) ALL VERTICAL FRAMING TO BE #1UD GRADE OR BETTER ALL HORIZONTAL FRAMING TO BE #2 DOUGLAS FIR L OR BETTER
- 9) 2x2 LATTICE TO BE CUT FROM 2x CLEAR REDWOOD (GREEN OR DRY)
- 10) REVISION #1 (8 3 75) - 2x4 TRUSS TAILS @ 24" O.C ALSO ADEQUATE (PER K SMITH, STRUCTURAL ENGINEER) SEE STD PLAN TO 907 FOR CALCS
- 11) FOR INCREASE IN PATIO SIZE REFER TO REVISION #2 - STD PLAN TO 907 CALCS

LEGHORN WORLD STANDARD PLAN NO 126

WOOD LATTICE/SOLID PATIO COVER

LA REINA (PLAN 43)

DATE: JANUARY 1975
 REDRAWN: NOVEMBER 10, 1989
 SCALE: AS SHOWN
 DRAWN BY: GINGER CHRISTEN DIMMICKS

PROFESSIONAL COMMUNITY MGMT INC.
 P.O. BOX 2220 LAGUNA HILLS, CA
 APPROVED: _____