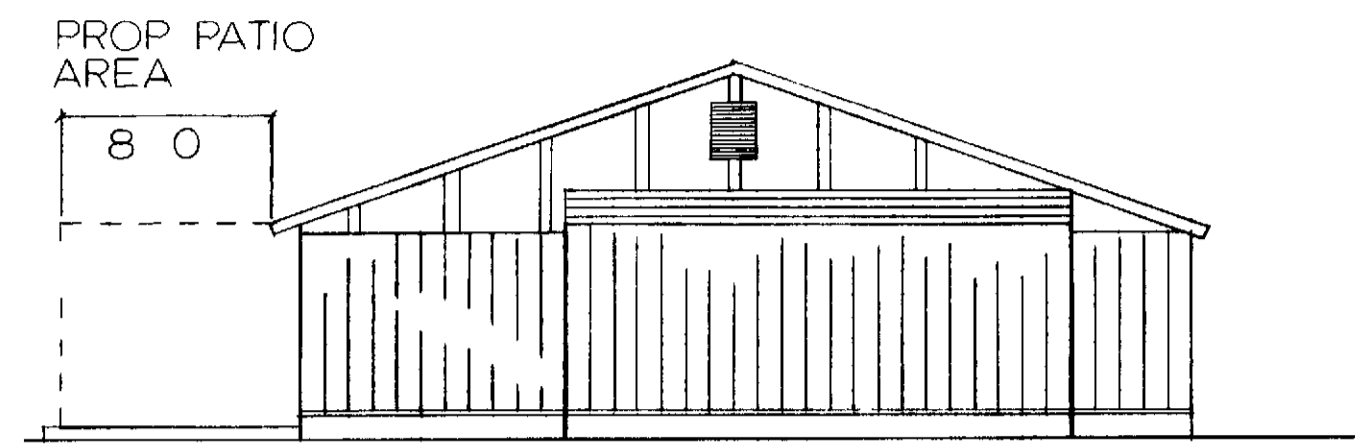
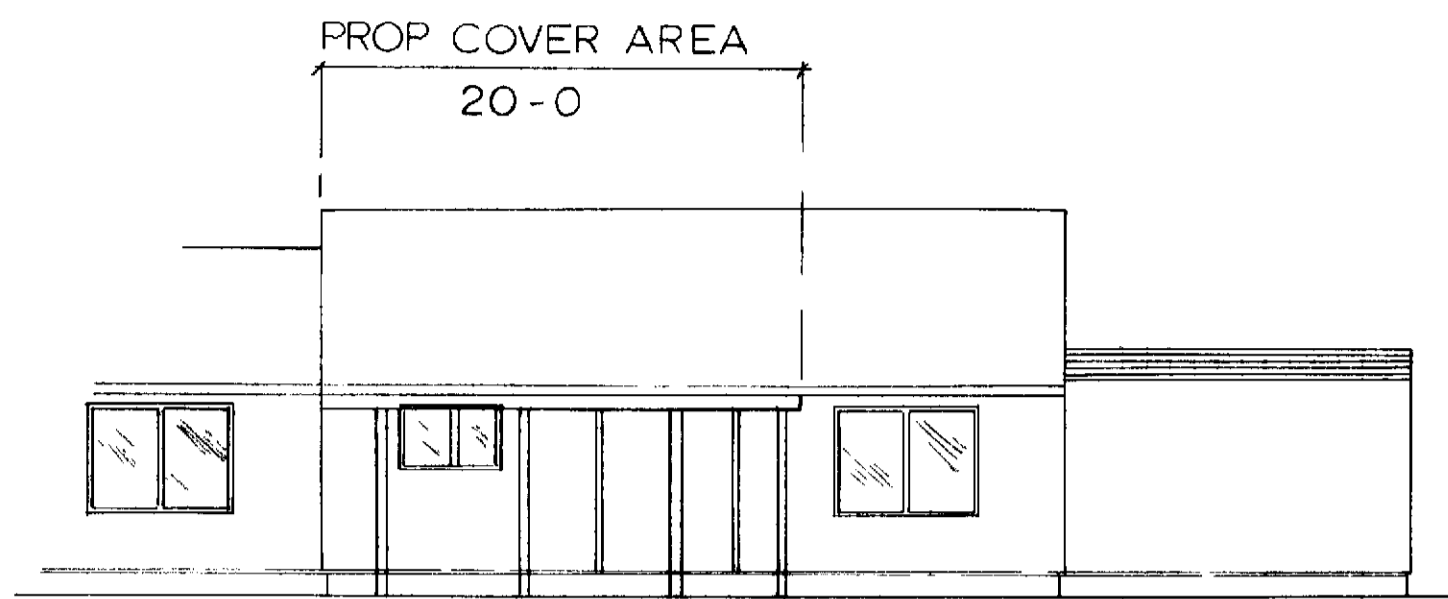
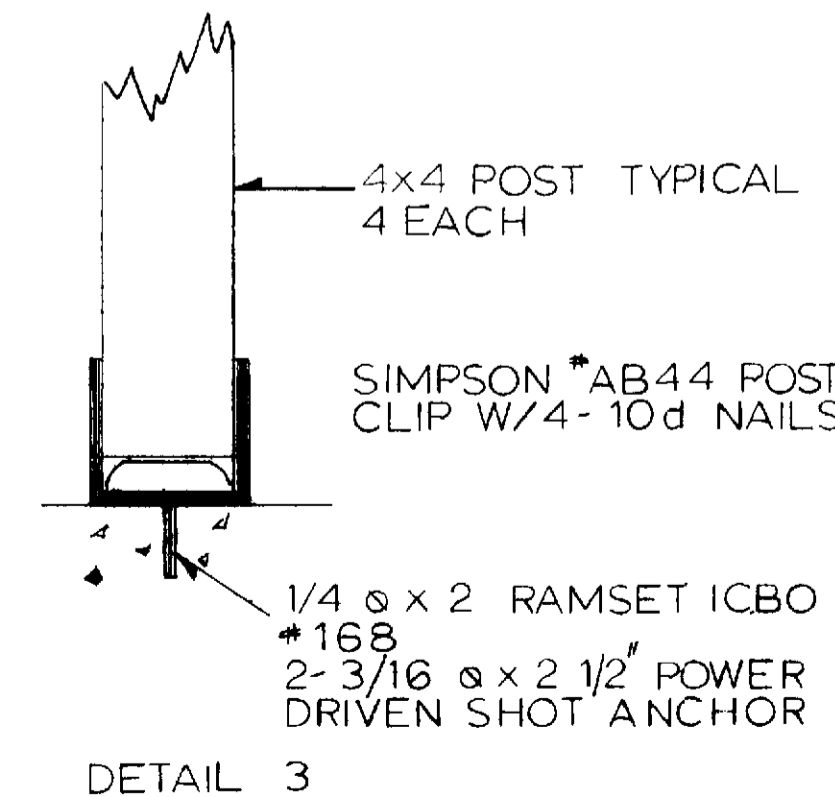
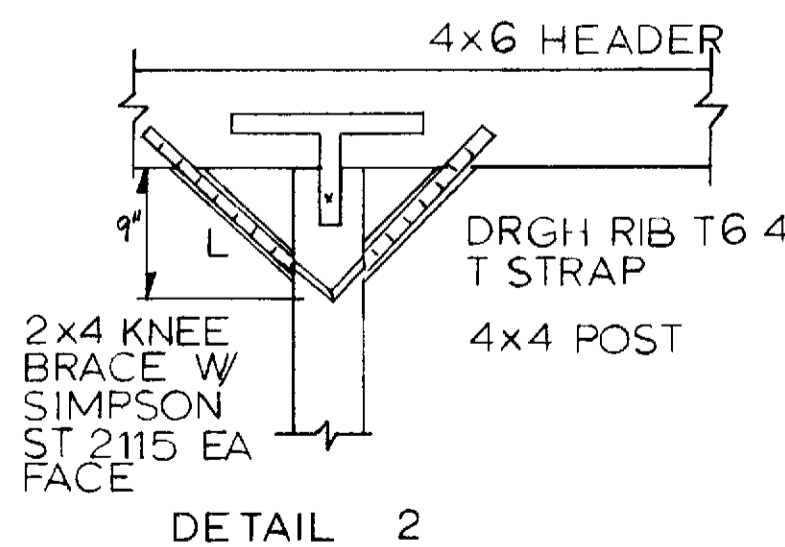
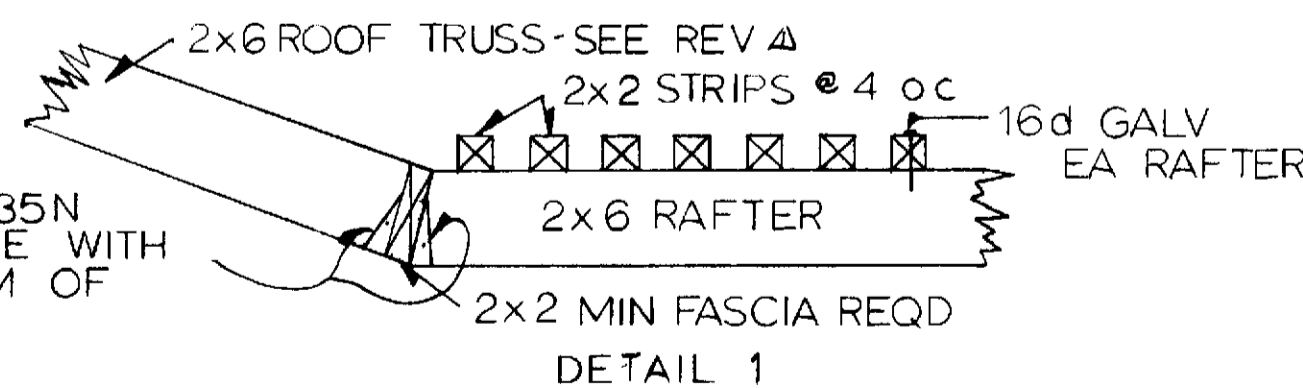
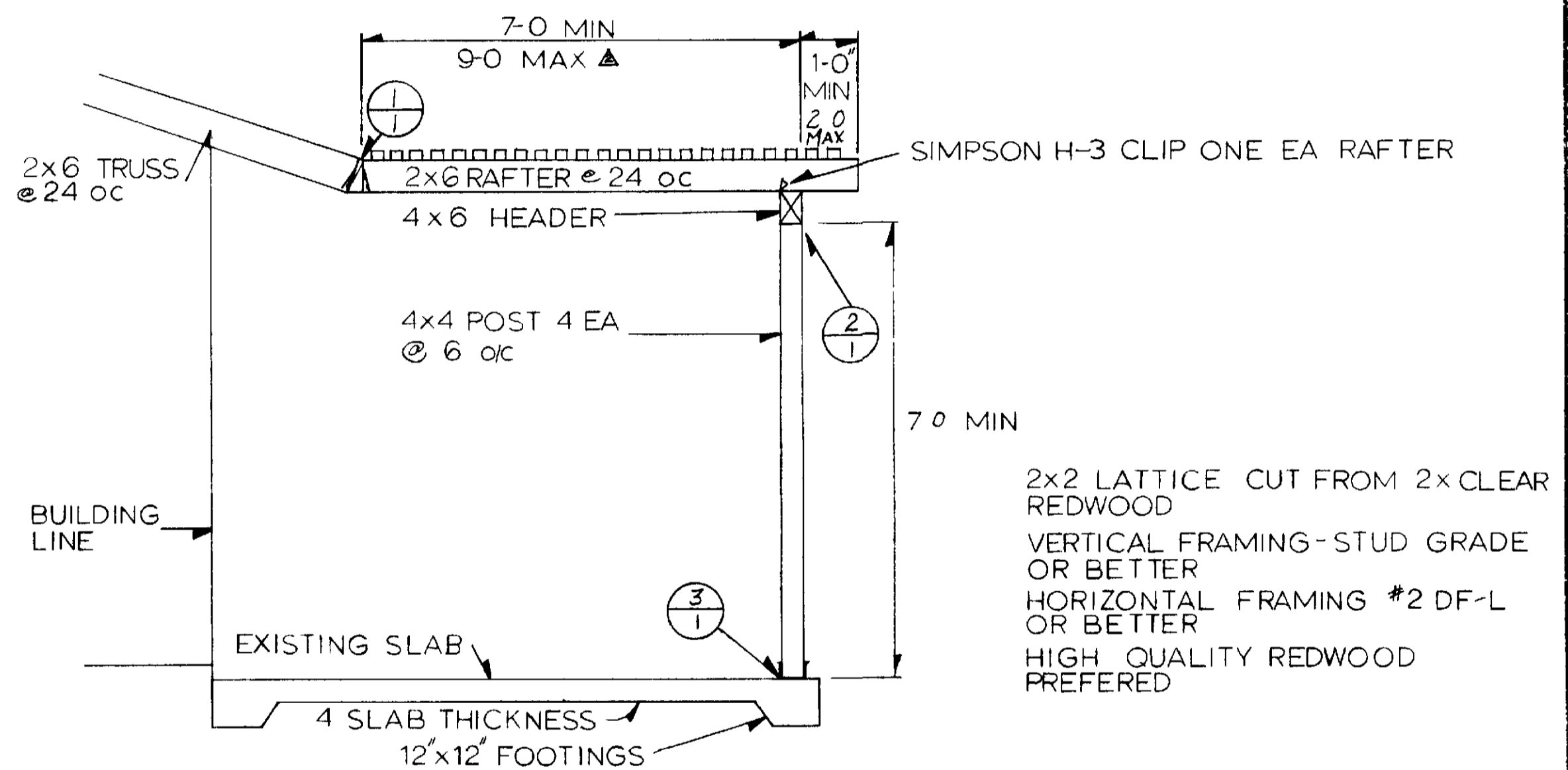
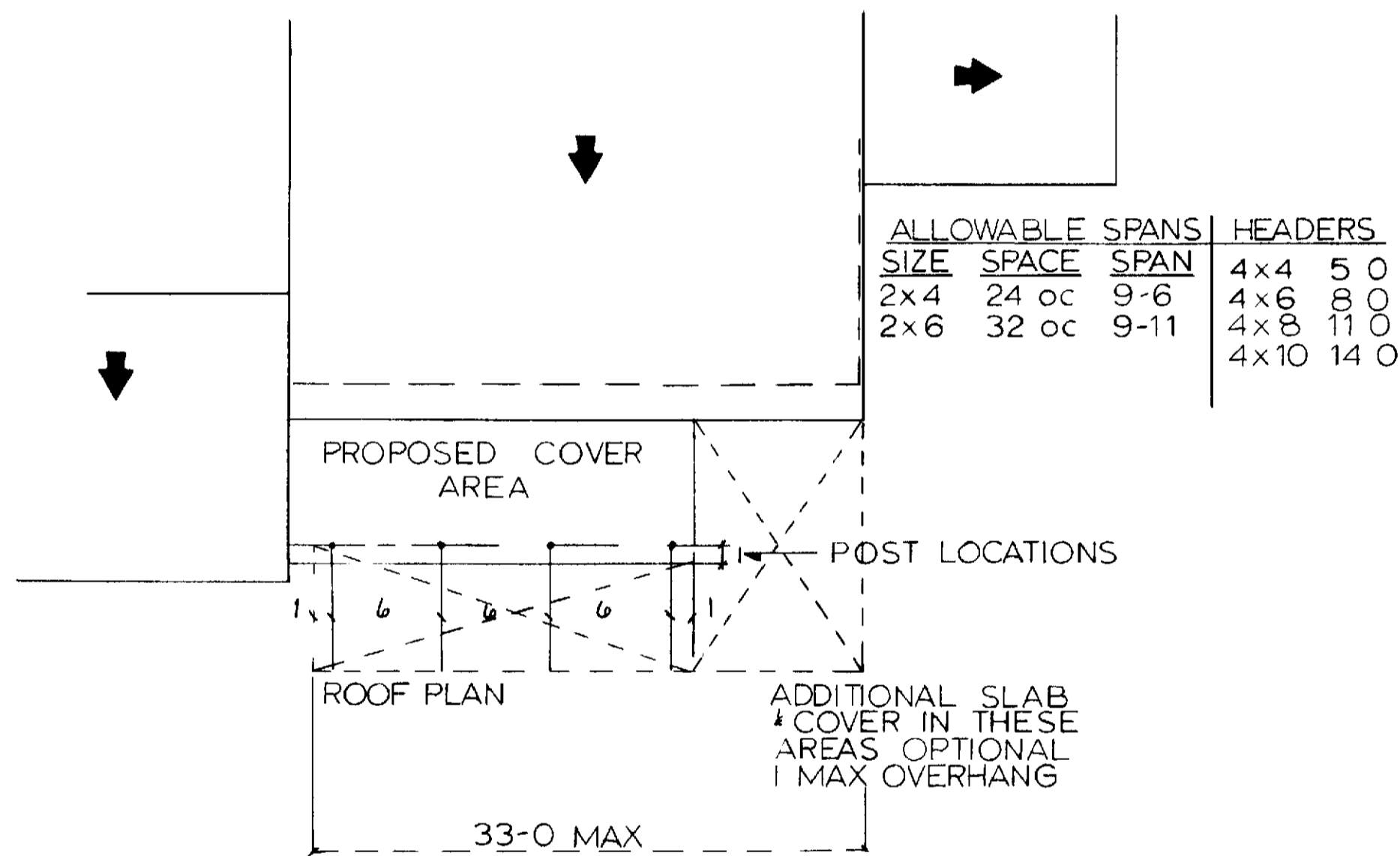


- 1 DIMENSIONS HAVE PREFERENCE OVER SCALE
- 2 CONTRACTOR SHALL VERIFY ALL DIMENSIONS AND CONDITIONS @ EACH JOB SITE
- 3 ALL PHASES OF CONSTRUCTION SHALL COMPLY WITH THE CURRENT ED OF OF THE UBC & OR STATE AND LOCAL CODES
- 4 ALL WOOD MEMBERS SHALL BE STAINED TO MATCH EXISTING ALL METAL TO BE FLAT BLACK
- 5 CONTRACTOR SHALL SECURE & PAY FOR ALL PERMITS REQD BY PCM AND ORANGE COUNTY DEPT OF BUILDING & SAFETY
- 6 UPON COMPLETION, THE CONTRACTOR SHALL REMOVE ALL DEBRIS AND EXCESS MATERIALS AND LEAVE ALL AREAS OF WORK BROOM CLEAN
- 7 PATIO COVER DESIGNED FOR LL=10 PSF DL=5 PSF
- 8 LATTICE MAY BE OMITTED IN FAVOR OF A SOLID ROOF 3/4" PLYWOOD W/BUILT-UP ROOFING



EXTERIOR ELEVATIONS



OPEN LATTICE PATIO COVER
LAS FLORES PLAN 42
LEISURE WORLD STANDARD PLAN NUMBER 117
PROFESSIONAL COMM MANAGEMENT APPROVED
PCM INC 380-4616
PO BOX 2220
LAGUNA HILLS CA
CE GUIDRY 3-14-89

REV Δ 2x4 TRUSS TAILS INLIEW OF 2x6 SHOWN ARE OK BUT ALL OTHER DETAILS REMAIN
ROOFLOAD-(3.5)(15)(2)=105# TRUSS M=(105)(2)+(16hz)(2)(2<)-322^{1h}-3864^{1h}
F_{2x4}-3900/3063=1273 PSI OK V=105+(28)(2)(2)=217² SAY 300^H
F_v=(15)(300)-5.25=86 PSI OK

Δ INCREASE 7 CANOPY TO 9 w=(10²)(1/2)(15)(1/9) 83.3^{ph} header OR 667^H/LF @ TRUSS TAIL
OR W=(2)(667)=133[#]/tail M=(133)(2)+(16+12)(2)(⁵/₂)=379[#]-4546[#]f ⁴⁵⁴⁶/₃₀₆₃-1484^{psi} OK