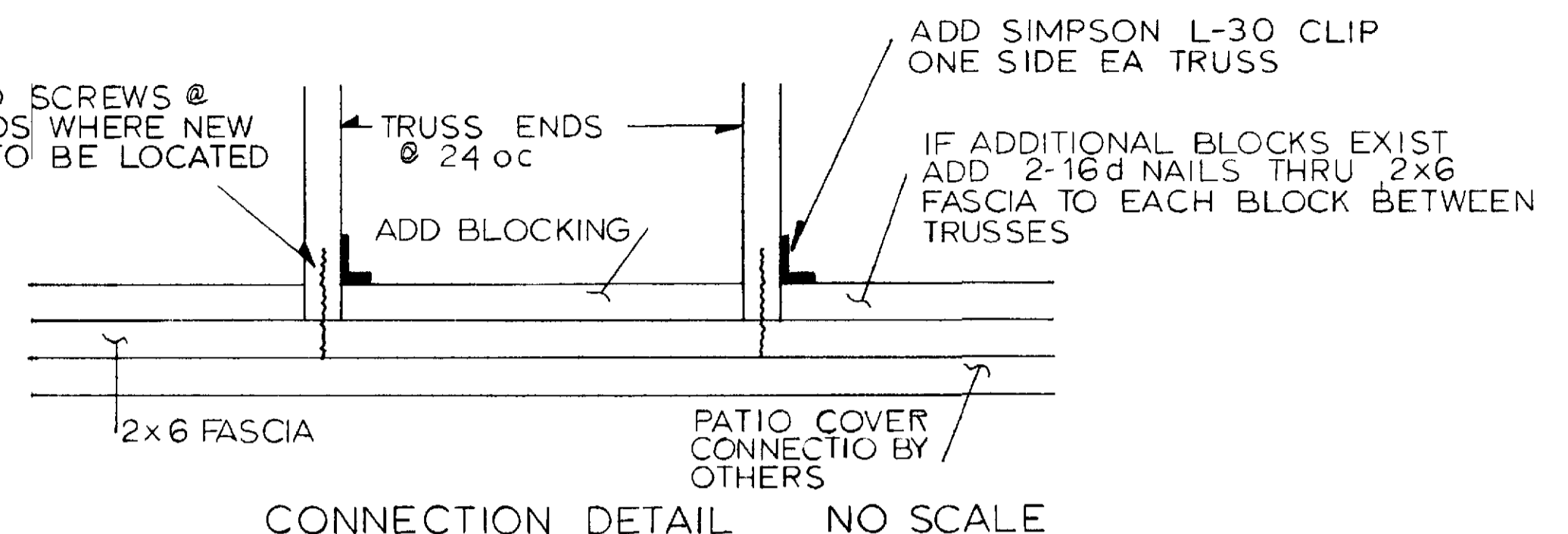
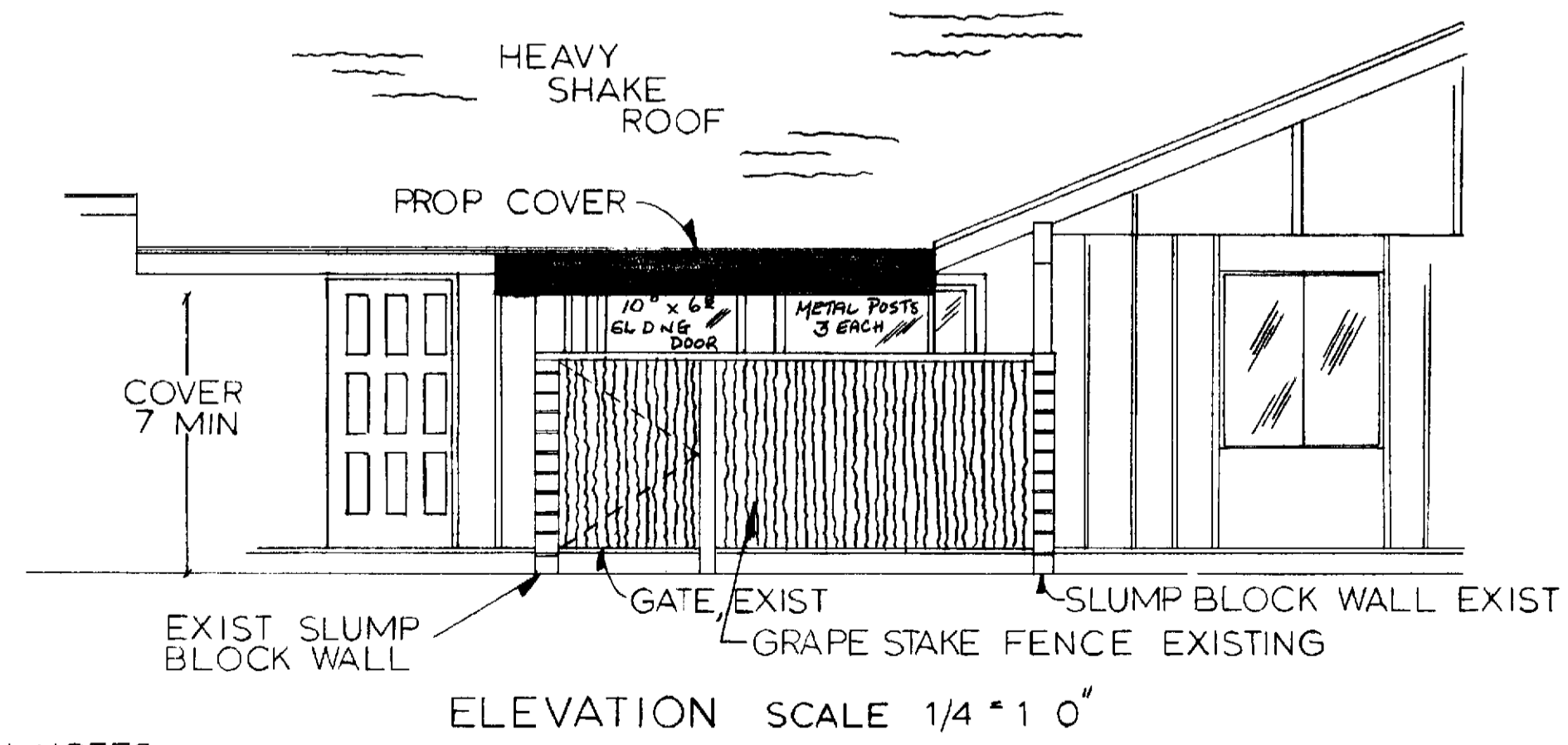


1/4" x 5 WOOD SCREWS @ ALL TRUSS ENDS WHERE NEW PATIO COVER TO BE LOCATED



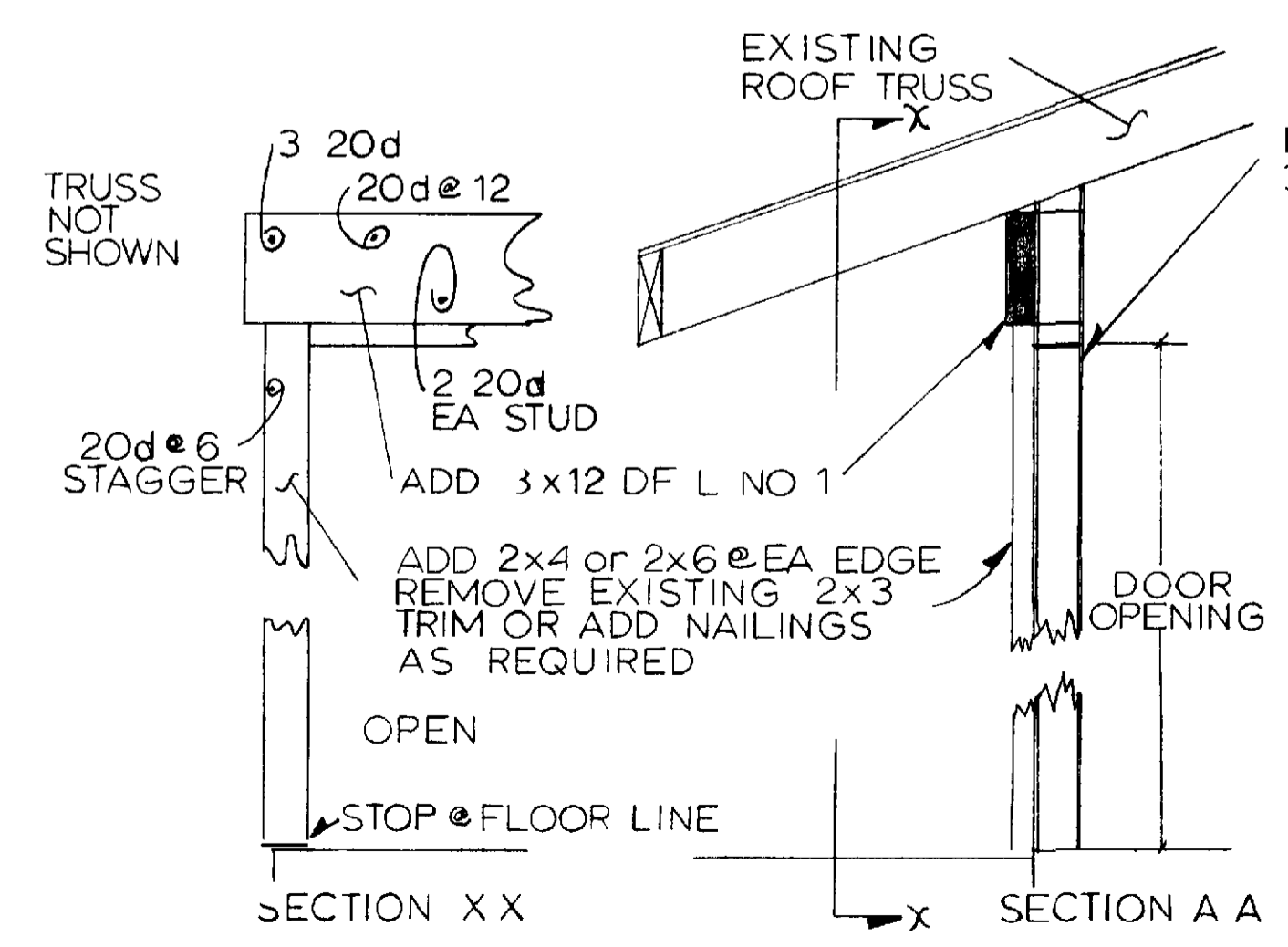
NOTES

- 1 DIMENSIONS HAVE PREFERENCE OVER SCALE
- 2 CONTRACTOR SHALL VERIFY ALL DIMENSIONS AND CONDITIONS @ EA JOB SITE
- 3 CANOPY SUPPORTING MEMBERS GUTTER & DOWNSPOUT SHALL BE ALUM W/BAKED ENAMEL FINISH FINISH SHALL BE CHOC BROWN AVACADO GREEN OR MATCH WOOD MEMBERS
- 4 WHERE COVER IS ATTACHED TO EXISTING STRUCTURE CAULK CONT W/GE SILICONE SEALANT
- 5 DEAD LOAD OF PATIO COVER -SEE DESIGN NOTES
- 6 LIVE LOAD - 10 PSF
- 7 CONTRACTOR SHALL SECURE AND PAY FOR ALL PERMITS REQD BY P.C.M
- 8 ALL PHASES OF CONSTRUCTION SHALL COMPLY WITH THE CURRENT UBC AND/OR STATE & LOCAL CODES
- 9 UPON COMPLETION, CONTRACTOR SHALL REMOVE ALL DEBRIS AND EXCESS MATL AND LEAVE ALL WORK AREAS BROOM CLEAN"



DESIGN NOTES

- 1 REINFORCING REQD FOR PATIO COVERS WITH DEAD LOAD GREATER THAN 2 PSF DEAD LOAD CANNOT EXCEED 10 PSF
- 2 FOR PATIO COVERS WITH DEAD LOAD LESS THAN 2 PSF DELETE SECTIONS A-A & X-X



MARIPOSA (LH-08) 3 BEDROOM UNIT ALUMINUM PATIO COVER
LEISURE WORLD STANDARD PLAN NUMBER 109
PROFESSIONAL COMM MANAGEMENT APPROVED
PCM INC 380 4616 POBOX 2220 LAGUNA HILLS, CA
APRIL 4 1972 MARCH 15 1989 C E G